

# CLOSE OUTS

*Will not be restocked  
Get them while they last!*

94C Duster	522	Powerbloc Clutches	522
Aaen Performance	521	Screen Kits	511
Arctic Cat Steel Cam	521	Shop Manuals	512
ATV Clutch Parts	520	Skis	515
Battery Holder	511	Skid Plates	519
Belts for Vintage Sleds	516	Sleeves for Vintage Sleds	503
Black Max Helixes	522	Sliders	519
Carb Accessories	521	Spark Plugs	511
Carbide Arrow Wedge	505	Steel Picks	507
Carbide Hooker Gold Digger	504	Steel Star Washers	506
Carbide Hooker Wedge	504	Steel Washers	507
Carbides	514	Studs	504
Connecting Rods for ATV	502	Teflon Coated Cams	521
Control Cables	509	Three Point Scooper	506
Exhaust Accessories	521	T-Nuts	507
Gas Shocks	520	T-Nut Tool	503
Grass Plus	506	Torque Arm	521
Pistons for Vintage Sleds	496	Track Cleats	508
Polaris Clutch Weights	521	Track Markers	503
Polaris Green Primary Pressure Spring	521	Track Saver Tool	503
Polaris Indy RXL Accessories	521	Traction Products	508
Polaris Nose Cone Screens	510	X-Calibur Ultra Lite Backers	506
Polaris Red Primary Pressure Spring	521		

# VINTAGE PISTONS



## ARCTIC CAT

	MODEL	YEAR	NO. OF CYL.	DISPL. CC	BORE	BORE SIZE (mm)	OVER SIZE (mm)	PISTON PART NO	KIT PART NO.
Engine	Arctic Cat Lynx (Spirit)	1977-80	1	250	70	70 70.25	STD 0.25	N/A 2286P1 \$50net	
	Arctic Cat (Kawasaki) 292 T4B292S		2	292	55.5	55.5 55.75	STD 0.25	2081P1 \$50net 2081P2 \$50net	
	Arctic Cat (Kawasaki) T1A340S1 T1B340S	1971-75	2	339	60	60 60.25	STD 0.25	2082P1 \$50net 2082P2 \$50net	
	Chrome Bore					60.5	0.5	2082P2 \$50net	
Carburetion	Bearcat 340	1995-00	2	339	60		STD	09-692NM \$30net	
	Cheetah 340	1994			x				
	Jag 340	1975-76,1987-90			60				
	Jag 3000 F/A, F/C	1978-80							
	Jag Deluxe	1987-90,98-99							
	Jag Mountain Cat	1990-91							
	Trail Cat 3000 F/C	1980							
Drive System	Lynx, Lynx Deluxe	1991-93							
	Lynx Mountain Cat	1992-93							
	Puma Deluxe	1994-97							
	Panther 340 (SUZUKI MOTOR)	1998-00							
	• Chrome Bore								
Tracks & Suspension	Arctic Cat (Spirit) 340 Jag	1976-80	2	339	60	60	STD	N/A	
	Trail Cat	1979-80				60.5	0.5	2294P2 \$50net 2294P4 \$50net	
	Arctic Cat (Kawasaki) T1A400S1 T1B400S			398/800	65	65 65.25	STD 0.25	N/A 2083P1 \$50net 2083P2 \$50net	
	KT800 798 4 Cylinder-Standard Chrome Bore					65.5	0.5	2083P2 \$50net	
Steering	El Tigre 4000 F/A 1977 3002-289	1977		431	65			09-698NM \$30net	
	Panther 4000 FC	1977-78			x 65				
	• Chrome Bore								
Brakes & Cables	Arctic Cat (Spirit) 435 Twin L/C	1976-80	2	435	68	68	STD	2272PS \$50net	
	Pantera	1985-86							
	Arctic Cat (Kawasaki) T1A440S1 T1B440S		2	436	68	68 68.25	STD 0.26	N/A 2084P1 \$50net	
	Arctic Cat (Kawasaki) KT440			432	67.5	67.5 67.75	STD 0.25	N/A 2089P1 \$50net	
	1972-EXT					68	STD	2268PS \$50net	
Starter Parts	Arctic Cat (Spirit) 6000 Series	1976-79	2	435	68	68	STD	2268P1 \$50net	
	El Tigre	1987-88				68.25	0.25	2268P1 \$50net	
	Pantera	1985-90							
	Arctic Cat (Spirit) Cheetah 5000	1977-78	2	435	70	70	STD	N/A	
	Cheetah 5000	1986-90				70.25	0.25	2286P1 \$50net	
	Cougar 5000	1985-90							
	El Tigre 5000	1976-81							
Electrical	Pantera 5000	1976-81							
	Panther 5000	1977-90							
	5000 El Tigre	1976	2	499	70		STD	09-693NM \$30net	
	Pantera	1976-81			x				
	Cheetah 5000	1976-78,1986-90			65				
Accessories	Panther 5000	1976-79							
	LYNX 2000S	1979-80	1						
	Cougar 5000	1985-90							
	• Chrome Bore								
Tools	Arctic Cat (Spirit) 6000 series L/C	1980-81	2	499	70	70	STD	2293PS \$50net	
		1984-85				70.25 70.5	0.25 0.5	2293P1 \$50net 2293P2 \$50net	
	Cheetah F/C 3003-210	1986-90	2	500	70		STD	09-691NM \$30net	
Oil & Filters	Cougar	1986-90			x				
	• Nikasil Bore				65				
	Wildcat 650	1988-90	2	650	78	78	STD	N/A	
Close-Outs	Thunder Cat 900 L/C	1990-97	3	895	76.5	78 79 76.5	1 STD	2331P4 \$50net 2349P2 \$50net	

## CCW

	MODEL	YEAR	NO. OF CYL.	DISPL. CC	BORE	BORE SIZE (mm)	OVER SIZE (mm)	PISTON PART NO	KIT PART NO.
Close-Outs	CCW (Canadian Curtiss Wright) Kioritz 400/2,3,4,21		2	398	65	65 65.5	STD 0.5	2013PS \$50net 2013P2 \$50net	
						66	1	2013P4 \$50net	
						67	2	2013P8 \$50net	
						67.5	2.5	2013P10 \$50net	
	KEC 440/21		2	438	66	66	STD		
	Reed Valve					67	1	2262P4 L.H. \$50net	
	CCW (Canadian Curtiss Wright) Kioritz 440/22A,22W,23 Reed Valve		2	438	66	66	STD		
	Liqui Fire					67.5	1.5	2016P6 R.H. \$50net	

## ATV

# VINTAGE PISTONS

## HIRTH

MODEL	YEAR	NO. OF CYL.	DISPL. CC	BORE	BORE SIZE (mm)	OVER SIZE (mm)	PISTON PART NO	KIT PART NO.
Hirth 192R	1970-71	1	317	77	77	STD	N/A	
Hirth 171R					77.5	0.5	2042P2 \$50net	
					78	1	2042P4 \$50net	
Hirth 160R-160R2E		1	371	80.5	80.5	STD	N/A	
					81	0.5	18165 + .020 \$50net	
					82.5	2	2045P8 \$50net	
					82.5	2	18165 + .080 \$50net	
					83	2.5	2045P10 \$50net	
					83.5	3	2045P12 \$50net	
Hirth 200R		1	372	80.5	80.5	STD	2046P5 \$50net	
Hirth 210R		1	399	63	63	STD	014.29 \$50net	
					63	STD	18996 \$50net	
					63.5	0.5	18996 + .020 \$50net	
					64	1	18996 + .040 \$50net	
Hirth 247R		2	247	70	70	STD	014-24 \$50net	
					70.5	0.5	014-24 /10 \$50net	
Hirth 260R		2	338	62	62	STD	014.47 \$50net	
					62	STD	19030 \$50net	
					62.25	0.25	2044P1 \$50net	
					62.5	0.5	2044P2 \$50net	
					63	1	19030 + .040	
Hirth 211R		2	438	66	66	STD	2048P5 \$50net	
					66	STD	18791 \$50net	
					66.5	0.5	18791 + .020 \$50net	
					67	1	18791 + .040 \$50net	



▶ Engine

▶ Carburetion

▶ Drive System

▶ Tracks &amp; Suspension

## JLO

MODEL	YEAR	NO. OF CYL.	DISPL. CC	BORE	BORE SIZE (mm)	OVER SIZE (mm)	PISTON PART NO	KIT PART NO.
JLO L227, L230		1	227	70	70	STD	2060P5 \$50net	
					71	1	2060P4 \$50net	
JLO L292		1	292	75	75	STD	17728 \$50net	
					75	STD	2061P5 \$50net	
					76	1	2061P4 \$50net	
					77	2	2061P8 \$50net	
					77.5	2.5	17728+100 \$50net	
					77.5	2.5	2061P10 \$50net	
					78	3	17728+120 \$50net	
					78	3	2061P12 \$50net	
JLO L297, L300		1	297	75	75	STD		
					77.5	2.5	2063P10 \$50net	
					78	3	2063P12 \$50net	
JLO LR340		2	339	60	60	STD		
					61	0.04	18932+.040 \$50net	
JLO LR340/2-9	1974-80	2	339	60	60	STD	2065P5 \$50net	
					61	1	2065P4 \$50net	
					61.5	1.5	2065P6 \$50net	
JLO L380		1	380	80	80	STD	N/A	
LR760/2		2	744	80	80	STD	N/A	
					81	1	2066P4 \$50net	
					82	2	2066P8 \$50net	
					82.5	2.5	2066P10 \$50net	
					83	3	2066P12 \$50net	
JLO L396		1	396	82.5	82.5	STD	2067P5 \$50net	
					83.5	1	2067P4 \$50net	
					84.5	2	2067P8 \$50net	
					85	2.5	2067P10 \$50net	
					85.5	3	2067P12 \$50net	
JLO LR399/2-9	1974-78	2	398	65	65	STD	2068P5 \$50net	
Cuyuna 400 1974-80					67	2	2068P8 \$50net	
JLO L440/2	1970	2	435	69	69	STD	454-05-901/10 \$50net	
					69.5	0.5	2069P2 \$50net	
					70	1	227.05.901/10 \$50net	
					70	1	230.05.901/00 \$50net	
					70	1	2060P5 \$50net	
					71	2	2060P4 \$50net	
					69	STD	18874 \$50net	
					69.5	0.5	18874+.020 \$50net	
					70	1	18874+.040 \$50net	
LR440/2 thru 9 Cuyuna 440 1974-80	1972-73	2	438	67.5	67.5	STD	09-671NM \$30net	
R440/2	1972-73		429		69	1.5	2070P6 \$50net	
R650/2	1972-73	3	642					
LR440/5 5 PORT		2	428					

▶ Steering

▶ Brakes &amp; Cables

▶ Starter Parts

▶ Electrical

▶ Accessories

▶ Tools

▶ Oil &amp; Filters

Pistons  
Conrods  
Sleeves  
Studs  
Cables  
Screen Kits  
Shop Manuals  
Carbides  
Drive Belts  
Skid Plates  
Shocks  
Clutch Parts

▶ Close-Outs

## JOHN DEERE (Kawasaki Engine)

MODEL	YEAR	NO. OF CYL.	DISPL. CC	BORE	BORE SIZE (mm)	OVER SIZE (mm)	PISTON PART NO	KIT PART NO.
TC440 A,B,C 202	1979-82	2	436	68	68	STD		
Liquifire	1979-82	2	436	68	68	0	2313P5 \$50net	
Sportfire	1979-82				68.25	0.25	2313P1 \$50net	
Trailfire	1981-82				68.5	0.5	2313P2 \$50net	

▶ ATV

# VINTAGE PISTONS



## KAWASAKI (Kawasaki Engine)

MODEL	YEAR	NO. OF CYL.	DISPL. CC	BORE	BORE SIZE (mm)	OVER SIZE (mm)	PISTON PART NO	KIT PART NO.
TA440B-202		2	436	68	68	STD	2313PS \$50net	
440 Drifter	1979-82				68.25	0.25	2313P1 \$50net	
TA440C,440 Intruder	1981-82				68.5	0.5	2313P2 \$50net	
TC440A,440 Invader	1981-82							

Engine

## KOHLER

MODEL	YEAR	NO. OF CYL.	DISPL. CC	BORE	BORE SIZE (mm)	OVER SIZE (mm)	PISTON PART NO	KIT PART NO.
K295-2RS F/A		2	292	55.5	55.5	STD		
K440-3		3			55.75	0.25	2104P1 \$50net	
					56	0.5	2104P2 \$50net	

Carburetion

K340-2AS F/C		2	338	60	60	STD	2295PS ** \$50net	
** Chrome bore or Resleeve					60.25	0.25	2295P1 \$50net	
					60.5	0.5	2295P2 \$50net	

Drive System

K340-2AX F/C,K340-2T Radial Fan			338	62	62	STD		
					63	1	133862 +.040 \$50net	
K340-2RS F/A,K340-RLC			338	60	60	STD		
1976-79 Chrome Bore					60.25	0.25	2112P1 \$50net	
					60.5	0.5	2112P2 \$50net	

Tracks & Suspension

K340-2FA,K340-2AX 2RS			338	62	62	STD	N/A	
					62.5	0.5	2100P2 \$50net	
Kohler K440-2SS Free Air	1970-71		429	67.5	67.5	STD		
Kohler K645-3SS			644		67.75	0.25	2103P1 \$50net	
Chrome bore								
K440-2RS			437	68	68	STD	N/A	
					68.25	0.25	2107P1 \$50net	
					68.5	0.5		

## MOTO-SKI

MODEL	YEAR	NO. OF CYL.	DISPL. CC	BORE	BORE SIZE (mm)	OVER SIZE (mm)	PISTON PART NO	KIT PART NO.
Moto Ski (Rotax) Futura	1975	2	339	59.5	61	STD	N/A	
Nuvik,E	1975-79				61.25	0.25	2155P1 R.H. \$50net	
					61.5	0.5	2155P2 R.H. \$50net	
					61.5	0.5	2154P2 L.H. \$50net	

Brakes & Cables

## POLARIS

MODEL	YEAR	NO. OF CYL.	DISPL. CC	BORE	BORE SIZE (mm)	OVER SIZE (mm)	PISTON PART NO	KIT PART NO.
Fuji Motor 3083023	1971	1	244	72		STD	09-700NM \$30net	
Charger, Mustang 448,	1971	2	488	x		0.040"	09-700-04NM \$30net	
Voyageur 488	1972-78			60				

Starter Parts

Colt 250	1971							
Custom II 250	1974-75							
TC 250	1975-77							
Electra 250	1979-83							
Gemini 244	1983-90							
Star								

Electrical

Star Trak 1987-90								
Starlite 1991-92								
340 TXL,RXL INDY	1977-83	2	332	55.6	55.6	STD	N/A	
					56.1	0.5	2275P2 \$50net	

Accessories

TX-L 340 3082738	1977-82	2	333	61.78		STD	09-706NM \$30net	
Indy Cross Country	1983			x		0.010"	09-706-01NM \$30net	
Centurion 500	1979-82	3	500	55.6		0.020"	09-706-02NM \$30net	
Starfire 340	1976		336			STD	09-706-01NM \$30net	
TX 340	1976-80					0.010"	09-706-02NM \$30net	

Tools

Fuji Motor								
339 Spirit F/C	1986-87	2	339	55.6	55.6	STD	2316PS \$50net	
Indy Sport	1988-90							

Oil & Filters

Lite Tour	1998							
Lite	1991-98							
Indy 340 Deluxe	1999-02							
Conrods	340 SPRINT,ES 3085840, 3085842	2	339	62.25		STD	09-717NM \$30net	
Sleeves	1986-90							
Studs	1987-90			x				
Cables	1990,95-96			55.6				

Close-Outs

Screen Kits	Indy 340 Lite	1991-98						
Shop Manuals	Indy 340 Lite Deluxe	1992-98						
Carbides	Indy 340 Lite GT	1994-97						
Drive Belts	Lite Touring	1998						
Skid Plates	Indy 340 Touring	1999-04						
Shocks	340 TOURING	2005-06						
Clutch Parts	340 CLASSIC	2004-06						
	340 EDGE CLASSIC	2003						
	340 EDGE	2003						
	340 EDGE LX	2007						
	340 EDGE TOURING	2007						
	Indy 340	1999,04						
	Indy 340 Deluxe	1999-02						

ATV

340	2008							
340 TRANSPORT	2008							
Fuji Motor								
• Fan Cooled • Cast Iron Bore • Cylinder honing required for Std. Bore								



# VINTAGE PISTONS

## POLARIS cont'd

MODEL	YEAR	NO. OF CYL.	DISPL. CC	BORE	BORE SIZE (mm)	OVER SIZE (mm)	PISTON PART NO	KIT PART NO.
Polaris EC 40		2	398	65	65	STD		
					65.25	0.25	<b>339865 +.010 \$50net</b>	
Polaris Indy 400	1984-91	2	398	65	65	STD	<b>2325PS \$50net</b>	SK1006
• Cast Iron Bore					65.25	0.25	<b>2325P1 \$50net</b>	\$100net
• Liquid Cooled					65.5	.5	<b>2325P2 \$50net</b>	
Fuji Motor						STD.	<b>09-707NM \$30net</b>	
						0.010"	<b>09-707-01NM \$30net</b>	
Polaris EC 44	1970-71	2	436	68	67.75	STD		
					68	0.25	<b>343668 +.010 \$50net</b>	
					68	0.25	<b>2122P1 \$50net</b>	
440 Indy Trail 1984-86	1984-86	2	432	67.75	67.75	STD	<b>2318PS \$50net</b>	SK1010
TRAIL / TRAIL DELUXE	1993				67.75	STD	<b>2343PS \$50net</b>	\$100net
Long Track	1984-90				68	0.25	<b>2318P1 \$50net</b>	SK1201
SS 440	1985-86					0.5	<b>2318P2 \$50net</b>	\$100net
440 Long Track LTR	1987					2	<b>2318P8 \$50net</b>	
Indy XCF	1997-98					STD	<b>09-710NM \$30net</b>	
440 Long Track Reverse	1988-89							
TRANSPORT	1996-99							
SPORT	1991-99							
SPORT GT	1991-92							
SPORT SKS	1994							
SPORT TOURING	1995-99							
SUPER SPORT	1994-96							
Fuji Motor • Cast Iron Bore								
Polaris EC 44 From Eng.# 2549	1973-82	2	432	67.75	67.75	STD	<b>2122PS \$50net</b>	
SS440	1983-87	3	648		68	0.25	<b>2122P1 \$50net</b>	
Indy Trail	1984				68	0.25	<b>343668 +.010 \$50net</b>	
EC65 Chrome bore								
500 Centurion 500	1979-80	3	498	61.75	61.75	STD	<b>2291PS \$50net</b>	
Indy 500	1981-82				62	0.25	<b>2291P1 \$50net</b>	
Indy Cross Country	1983				62.5	0.75	<b>2291P3 \$50net</b>	
EC44	1970-71	2	436	68	68	STD	<b>2122P1 \$50net</b>	
EC44	1973-82	2	432	67.75	67.75	STD	<b>2122PS \$50net</b>	
648 Triple		3	648					
INDY Trail 488	1985-99	2	488	72	72	STD	<b>09-711NM \$30net</b>	
INDY Trail SP	1986,88-89				72.5	0.25	<b>2315P1 \$50net</b>	
INDY Trail SKS	1987-89				73	1	<b>2315P4 \$50net</b>	
INDY Trail ES	1987-89							
INDY Trail Deluxe	1988-95							
INDY Trail Touring	1996-99							
INDY Trail RMK	1997-98							
• Cast Iron Bore								
Fuji Motor								
• Fan Cooled								
INDY 500	1989-06	2	500	72		Std.	<b>09-711NM \$30net</b>	
INDY 500 SP	1989-92			x				
INDY 500 SP EFI	1992			60				
INDY 500 SPX	1992							
INDY 500 EFI	1993-97							
INDY 500 EFI SKS	1993-96							
INDY 500 SKS	1989-92,95-97							
INDY 500 CLASSIC	1989-02							
INDY 500 CLASSIC	2004-06							
500 CLASSIC TOURING	1993-94							
500 CLASSIC TOURING	2001-03							
500 EDGE	2003-04							
Indy 500 RMK	1997-99				72	Std.	<b>09-711NM \$30net</b>	
Indy Classic Touring	1997-00				x			
Indy Widetrack LX	1998-07				60			
Fuji Motor								
• Cast Iron Bore								
580 XLT SP	1992-94	3	579	64	64	STD	<b>2347PS \$50net</b>	
580 XLT	1993-94				65	1	<b>2347P4 \$50net</b>	
580 XLT SKS	1993-94				66	2	<b>2347P8 \$50net</b>	
Fuji Motor						STD	<b>09-714NM \$30NET</b>	
• Cast Iron Bore						0.020"	<b>09-714-02NM \$30NET</b>	
						0.040"	<b>09-714-04NM \$30NET</b>	
Indy 600 L/C	1983	3	597	65	65	STD	<b>09-707NM \$30net</b>	
						0.010"	<b>09-707-01NM \$30net</b>	
					65.25	0.25	<b>2302P1 \$50net</b>	
					65.5	0.5	<b>2302P2 \$50net</b>	
Polaris Indy 600 L/C	1984-87	3	597	65	65	STD	<b>2311PS \$50net</b>	
BIG BORE Polaris 600 L/C	1984-87	3	648	67.75	67.75	STD	<b>2354PS \$50net</b>	
Overbore to 650 CC					68	0.25	<b>2354P1 \$50net</b>	
Indy 600					68.25	0.5	<b>2354P2 \$50net</b>	
650 Indy	1988-92	3	648	67.75	67.75	STD	<b>09-713NM \$30net</b>	
650 SKS	1988-90				70	2.25	<b>2324P10 \$50net</b>	
650 RXL	1990-97							
650 RXL SKS	1991-93							
650 RXL TOURING	1994-95							
650 RXL LT	1995							
Fuji Motor								
• Cast Iron Bore								



▶ Engine

▶ Carburetion

▶ Drive System

▶ Tracks &amp; Suspension

▶ Steering

▶ Brakes &amp; Cables

▶ Starter Parts

▶ Electrical

▶ Accessories

▶ Tools

▶ Oil &amp; Filters

▶ Pistons

- Conrods
- Sleeves
- Studs
- Cables
- Screen Kits
- Shop Manuals
- Carbides
- Drive Belts
- Skid Plates
- Shocks
- Clutch Parts

▶ Close-Outs

▶ ATV

# VINTAGE PISTONS



**POLARIS cont'd**

MODEL	YEAR	NO. OF CYL.	DISPL. CC	BORE	BORE SIZE (mm)	OVER SIZE (mm)	PISTON PART NO	KIT PART NO.
INDY STORM 800	1994-98	3	794	72		0.020"	09-719-02 \$30net	
INDY STORM 800 SKS	1994-97			x				
INDY STORM 800 SE	1997			65				

**Engine**  
XPS Series  
Fuji Motor  
94-95 models are cast iron bore  
• 96-98 models have Nikasil Bore

**ROTAX/SKI-DOO**

MODEL	YEAR	NO. OF CYL.	DISPL. CC	BORE	BORE SIZE (mm)	OVER SIZE (mm)	PISTON PART NO	KIT PART NO.
MOTO-SKI		2	293.5	57		0.020"	09-764-02NM \$30.00	
Mirage 300	1979			x				
SKI-DOO				57.5				
TNT 294	1973							
Elan 294, 300SS	1974-75							
Citation 300	1978-79							
Rotax 250		1	347	69	69	STD	N/A	
					71	2	2140P8 \$50net	
					72.5	2.5	2140P10 \$50net	
					73	3	2140P12 \$50net	
Rotax 300,320		1	299/319	76	76	STD	N/A	
					77.5	1.5	17732+.060 \$50net	
					79	3	17732+.120 \$50net	
292 TNT,294 SS, 300 SS	1974-78	2	293.5	57.5	57.5	STD	2156P5 \$50net	
Rotax 339 L/C		2	439	68.5	68.5	STD	N/A	
					69	0.5	2288P2 \$50net	
Rotax TNT 340, 340S	1972-74	2	339	59.5	59.5	STD		
TNT F/C 340, 340E	1975-76				59.75	0.25	2155P1 R.H. \$50net	
Olympic 340, 340E	1975-79				60	0.5	2155P2 R.H. \$50net	
Everest 340, 340E	1977-79				60	0.5	2154P2 L.H. \$50net	
Rotax 340 TNT	1973-75	2	339	59.5	59.5	STD	N/A	
Free Air					60.5	1	2159P4 \$50net	
Rotax 370			368	62	62	STD	N/A	
					64.5	2.5	2143P10 \$50net	
					65	3	2143P12 \$50net	
4500 Series Citation	1979-83	2	368.3	62	62	STD	N/A	
Formula S	1996				63	1	2308P4 \$50net	
Rotax 371		2	369	62	62	STD	18182 R.H. \$50net	
					62.5	0.5	18182+.020 R.H. \$50net	
					63	1	18182+.040 L.H. \$50net	
					64.5	2.5	2145PS R.H. \$50net	
					65	3	2144P2 R.H. \$50net	
					65	3	2144P2 L.H. \$50net	
Rotax 399		2	398.6	64.5	64.5	STD	2145PS R.H. \$50net	
					65	0.5	2145P2 R.H. \$50net	
					65	0.5	2144P2 L.H. \$50net	
					66	1	2145P8 R.H. \$50net	
					66	!	2144P8 L.H. \$50net	
Rotax 401		2	399	64.5	64.5	STD	18790 R.H. \$50net	
					65	0.5	18790 +.020 R.H. \$50net	
MOTO-SKI		2	436.6	69.5 x 61		0.040"	09-761-04NM \$30net	
Futura 444	1978-79							
Futura 464	1980-82							
Sonic L/C	1984							
SKI-DOO			462.8	69.5 x 64				
Elite 450 L/C	1978-80							
Everest 444 L/C	1978-79							
Everest 464 L/C	1980-83							
SS-25	1984							
Formula MX, LT, XTC	1985-93							
Safari GLX, L/C, LCE	1980-83							
Grand Touring 470	1995							
FORMULA SS,	1985							
FORMULA XT	1994							
Formula SP 1	1985-95							
Formula MX, XTC	1985-95							
Formula MXZ	1993-94							
Summit 470	1994-95							
Formula GLX,MX,MXZ,SS,XT	1985-95	2	463	69.5	69.5	STD	N/A	
SS25SP	1984				70	1	2312P4 \$50net	SK1029 \$100net
Rotax 440 TNT F/C	1970-74	2	437	67.5	67.5	STD	N/A	
					67.75	0.25	2147P1 R.H. \$50net	
Rotax Bizzard	1970		430.1	67	67	STD	N/A	
					67.25	0.25	2148P1 \$50net	
Ski Doo Formula Plus	1989-91	2	521	72	72	STD	N/A	
536 & 537 Engine Types						1.5	2319P6 \$50net	

Engine

Carburetion

Drive System

Tracks & Suspension

Steering

Brakes & Cables

Starter Parts

Electrical

Accessories

Tools

Oil & Filters

- Pistons
- Conrods
- Sleeves
- Studs
- Cables
- Screen Kits
- Shop Manuals
- Carbides
- Drive Belts
- Skid Plates
- Shocks
- Clutch Parts

Close-Outs

ATV



# VINTAGE PISTONS

## ROTAX/SKI-DOO cont'd

MODEL	YEAR	NO. OF CYL.	DISPL. CC	BORE	BORE SIZE (mm)	OVER SIZE (mm)	PISTON PART NO	KIT PART NO.
SKI-DOO 420.8880.80, 420.8880.81	1989-92	2	580	76 x 64		0.040"	09-772-04NM \$30net	
Formula Mach 1, XTC	1992-93							
Formula Plus, E, XTC, X	1993-94		617	76 x 68				
Formula Plus EFI	1993-99							
GRAND TOURING 583	1994-96							
Formula STX 583	1994-96							
Formula Z 583	1989-99							
Formula Deluxe 583	1994-98							
SUMMIT 583	1996-99							
MXZ 583	1991-92							
MACH 1 RAVE								
Ski Doo, Mach I, Rave Valve WC	1989-90	2	581	76	76	STD	N/A	
			617		77.5	1.5	2328P6 \$50net	
					78	2	2328P8 \$50net	SK1080 \$100net
Rotax 640		2	635.1	76	76	STD	N/A	
					77	1	2149P4 L.H. \$50net	
Rotax 640 Blizzard	1970	2	635.1	76	76	STD	N/A	
					77	1	2151P4 \$50net	
Rotax 669		2	669	78	78	STD	N/A	
					79	1	2153P4 R.H. \$50net	
Formula Mach 1	1997-98	3	700	69.8	69.75	STD	N/A	
Grand Touring SE	1997-98				70.50	0.75	2382P2 \$50net	
Formula III 700	1998							
Grand Touring	1998							
Formula Mach Z 1993-96	1993-96	3	772	69.5	69.5	STD	N/A	
Mach Z LT	1996				70.5	1	2384P4 \$50net	
					71.5	2	2350P8 \$50net	
					72	2.5	2384P10 \$50net	
Formula Mach Z	1997-98	3	796	70.5	70.5	STD	N/A	
					71.5	1	2384P4 \$50net	



▶ Engine

▶ Carburetion

▶ Drive System

▶ Tracks &amp; Suspension

▶ Steering

## RUPP

MODEL	YEAR	NO. OF CYL.	DISPL. CC	BORE	BORE SIZE (mm)	OVER SIZE (mm)	PISTON PART NO	KIT PART NO.
Rupp (Tohatsu) TR295			292	57	57	STD	N/A	
					57.25	0.25	2177P1 R.H. \$50net	

▶ Brakes &amp; Cables

## SABHS

MODEL	YEAR	NO. OF CYL.	DISPL. CC	BORE	BORE SIZE (mm)	OVER SIZE (mm)	PISTON PART NO	KIT PART NO.
Sachs SA280		1	280	71	71	STD	1486-029-015 \$50net	
					71.5	0.5	1486-029-016 \$50net	
					72	1	1486-029-017 \$50net	
					72.5	1.5	1486-029-018 \$50net	
Sachs 293/297 Polaris SA290SS		1	293	73	73	STD	89-111D \$50net	
					73.25	.25	2191P1 \$50net	
Sachs SA370-Single SA740-Twin		1	370	79	79	STD	N/A	
		2	740		80	1	1486-032-007 \$50net	
					81	2	2194P8 \$50net	
					81.5	2.5	2194P10 \$50net	
					81.5	2.5	18185+.100 \$50net	
					82	3	2194P12 \$50net	
Sachs SA340/2		2	340	62	62	STD	N/A	
					62.25	0.25	2193P1 \$50net	
					62.5	0.5	2193P2 \$50net	
					63	1	3686-007-007 \$50net	
Sachs SA 2-440		2	436	67.5	67.5	STD	N/A	
					68.5		18482+.040 \$50net	

▶ Starter Parts

▶ Electrical

▶ Accessories

▶ Tools

## YAMAHA

MODEL	YEAR	NO. OF CYL.	DISPL. CC	BORE	BORE SIZE (mm)	OVER SIZE (mm)	PISTON PART NO	KIT PART NO.
ET300 C,D,E	1979-81	2	294	56	56	STD	N/A	
					57.5	1.5	2299P6 \$50net	
					60	STD	2292P5 \$50net	
ET340 B,C,EC,D,ED,E,TE,F,TF	1978-82	2	339	60	60	STD	N/A	
EC340 G,J,G,H,TH	1983-84							
Excel-Enticer 340T	1985-88							
Enticer Long Track	1985-88							
340 Ovation F/C	1989-93	2	337	60	60	STD	N/A	
EC 340 1982-88	1982-88				61	1	2329P4 \$50net	SK1074
ET 340 1978-1987	1978-87				61.5	1.5	2329P6 \$50net	\$100net
						0.030"	09-802-03NM \$30net	
338 Twin		2	338	60	60	STD	N/A	
SL, SM338, GS340					61.5	1.5	2212P6 \$50net	
SL396, L396			396	65	65	STD	N/A	
					67	2	2210P8 \$50net	
Exciter 440	1975-81	2	433	68	68	STD	N/A	
						68.5	2284P2 \$50net	
						69.5	2284P6 \$50net	
SRX 440 L/C	1981	2	440	66	66	STD	N/A	
					66.5	0.5	09-8023-2 \$50net	

▶ Oil &amp; Filters

- ▶ Pistons
- ▶ Conrods
- ▶ Sleeves
- ▶ Studs
- ▶ Cables
- ▶ Screen Kits
- ▶ Shop Manuals
- ▶ Carbides
- ▶ Drive Belts
- ▶ Skid Plates
- ▶ Shocks
- ▶ Clutch Parts

▶ Close-Outs

▶ ATV

# VINTAGE PISTONS

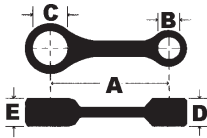


## YAMAHA

	MODEL	YEAR	NO. OF CYL.	DISPL. CC	BORE	BORE SIZE (mm)	OVER SIZE (mm)	PISTON PART NO	KIT PART NO.
	SS440	1980-85	2	437	66	66	STD	2309PS \$50net	SK1127 \$100net
Engine	PZ 480,E,SS,II	1984-98	2	485	72		STD	09-813NM \$30net	
	PZ 480 ST	1991-95			X				
	PZ 480 MOUNTAIN LITE	1996-99			56				
	PZ 500 / DLX	1999-01							
	PZ 500 MOUNTAIN LITE	2000-01							
Carburetion	VT 480 VENTURE GT	1992-93							
	VT 480 VENTURE XL	1991-97							
	VT 480 VENTURE TR	1996-98							
	VT 480 TF 1993-01	1993-01							
	VT500 VENTURE XL FAN	1999							
	SRV 540 E,F,G,H	1980-91	2	535	73	73	STD	N/A	
Drive System	XL-V	1986-90				73.25	0.25	2305P1 \$50net	
	Vmax 540 L/C	1983-89	2	535	73	73	STD		
						73.25	0.25	2304P1 \$50net	
						73.50	0.5	2304P2 \$50net	
						74	1	2304P4 \$50net	SK1042 \$100net
						74.5	1.5	2304P6 \$50net	
Tracks & Suspension	EX570 Exciter	1987-90	2	569	70	70	STD	2320PS \$50net	
	EX570 Exciter, Exciter II	1991-93				70.5	0.5	2553P2 \$50net	
	V-Max 600 LE,DX,ST,XT,XTC	1994-98	2	598	74.8	74.75	STD		
	Venture					75.25	0.5	2388P2 \$50net	
	Mountain Max								
Steering	Vmax 4 VX750S	1992-94	4	743	63	63	STD	2342PS \$50net	
							1.0	2342P4 \$50net	
								2342P10 \$50net	

Brakes & Cables

# CONNECTING RODS FOR ATV



All measurements are in millimeters.  
Kits include: connecting rod, crank pin, top and bottom end bearings, and thrust washers if necessary.

- A: CENTER TO CENTER DISTANCE
- B: SMALL END BORE DIAMETER
- C: BIG END BORE DIAMETER
- D: SMALL END WIDTH
- E: BIG END WIDTH
- F: PIN DIAMETER AND LENGTH

- Pistons
- Conrods
- Sleeves
- Studs
- Cables
- Screen Kits
- Shop Manuals
- Carbides
- Drive Belts
- Skid Plates
- Shocks
- Clutch Parts

## KAWASAKI

Model	Year	Part No.	Price	A	B	C	D	E	Pin Dia/Lth	Crank Pin Bearing	Piston Pin Bearing	Washers
KSF 50A1/A2/A3/A6F KFX50*	03-06	VA-3001	\$50.00	80	16	21	10	12	15 x 31	YES	YES	NO
KLT 250A1	1982	VA-4003	\$50.00							YES	NO	YES
KLT 250A2	1983	VA-4004	\$50.00							YES	YES	YES
KLT 250C1/C2/C3 Prairie250	83-85	VA-4004	\$50.00							YES	YES	YES
KLT 250P1 Police	1984	VA-4004	\$50.00							YES	YES	YES

## SUZUKI

Model	Year	Part No.	Price	A	B	C	D	E	Pin Dia/Lth	Crank Pin Bearing	Piston Pin Bearing	Washers
T50D/E Quadrunner*	83-84	VA-3001	\$50.00	80	16	21	10	12	15 x 31	YES	YES	NO
LT-A 50K2/K3/K4/K5*	02-05	VA-3001	\$50.00	80	16	21	10	12	15 x 31	YES	YES	NO
LT50 E/F/G/H*	84-90	VA-3001	\$50.00	80	16	21	10	12	15 x 31	YES	YES	NO
ALT125 D/E/F/G3x6*	83-86	VA-3002	\$50.00	106	14	36	16	17	28 x 53	YES	NO	NO
LT125 D/E/F/G/H Quadrunner*	83-87	VA-3002	\$50.00	106	14	36	16	17	28 x 53	YES	NO	NO

ATV



# SLEEVES FOR VINTAGE SLEDS



## ARCTIC CAT (SUZUKI)

<b>440 Fury</b>					FL1072
6000 Series 500 1980-81, 1984-86	Liquid Cooled	500cc Twin	AC	FL1105	
<b>WISCO PISTON 2 293PS</b>		70mm 2.755"			
El Tigre 6000 1986-90	Liquid Cooled	529cc Twin	AC	FL1146	
Cheetah 530 1986-88		72mm 2.835"			

## ARCTIC CAT (KAWASAKI)

340/2B T-1	Fan Cooled	339cc Twin	AC	FL1108	
		60mm 2.362"			
340/2A T-7	Free Air	339cc Twin	AC	FL1109	
		60mm 2.362"			
400	Fan Cooled	398cc Twin	AC	FL1065	
		65mm 2.559"			
440 T-1	Fan Cooled	436cc Twin	AC	FL1067	
		68mm 2.677"			
440 RS/2A T-7	Free Air	436cc Twin	AC	FL1068	
		68mm 2.677"			

## KIORITZ (JOHN DEERE)

<b>440 Fan Left Rotary Valve</b>				FL1087
<b>440 Fan Right Rotary Valve, 440 L/C</b>				FL1089

## KAWASAKI (JOHN DEERE)

Trail Fire 440 (non-Bridged Intake Port)	Fan Cooled	436cc Twin	AC	FL1067	
		68mm 2.677"			
Sports Fire 1979-82 (Bridged Intake Port)	Fan Cooled	436 Twin	AC	FL1116	
		68mm 2.677"			
SB 340 (Bridged Intake Port)		339cc Twin	AC	FL1114	
		60mm 2.362"			
Drifter 440	Fan Cooled	436 Twin	AC	FL1116	
		68mm 2.677"			
LTD 440 (8 Port)	Liquid Cooled	436 Twin	AC	FL1115	
		68mm 2.677"			
Interceptor 550 (8 Port)	Liquid Cooled	530cc Twin	AC	FL1117	
		75mm 2.952"			

## JLO (ROCKWELL)

LR 300/3, 4		398cc Twin	AC	FL1106	
<b>WISCO PISTON 2068ps</b>		65mm 2.559"			

## POLARIS

440 TX 1974		436cc Twin	AC	FL1047	
		68mm 2.677"			
440 TX (EC-44) 1975		432cc Twin	AC	FL1074	
		67.75mm 2.667"			
440 TXC 1981	Fan Cooled	432cc Twin	CI	FL1128	
		67.75mm 2.677"			

## POLARIS 4-STROKE

340 1973-75	Free Air	339cc Twin	RS	FL1057	
		59.5mm 2.342"			
340TX 1975, 335cc Twin				FL1092	
<b>WISCO PISTON 2129ps</b>	Free Air				
650 Indy L/C		allows bore to		FL1161H	
		73mm			
<b>WISCO PISTON 2346ps-p10</b>		allows bore to		FL1161B	
650 Indy L/C		747cc			
<b>WISCO PISTON 2346ps-p17</b>					

## SKI-DOO

340 1973-75	Free Air	339cc Twin		FL1057	
<b>WISCO PISTON 2159ps</b>					
340 1973-78	Fan Cooled	339cc Twin	RS	FL1103	
		59.5mm 2.342"			
399 (Ski Doo)		399cc Twin	RS	FL1049S	
		64.5mm 2.539"			
		2.703" O.D.			
399 (Ski Doo)		399cc Twin	RS	FL1049	
<b>WISCO PISTON 2145ps</b>		64.5mm 2.539"			
		2.742" O.D.			
<b>444 Liquid Cooled</b>				FL1104	

## YAMAHA

ET-300 1976-80		294cc Twin	CI	FL1144	
		56mm 2.204"			
440 SRX 1981	Liquid Cooled	437cc Twin	AC	FL1121	
		66mm 2.598"			

\*Read "General Rules for Sleeve Installation" at the end of sleeve section pg 343 for important sleeve information.



## TRACK SAVER TOOL

You need this tool for holding T-nuts while installing or removing.

Three pins fit the T-nut prong slots and hold it firmly. Snaps on any 3/8" drive ratchet.

3/4" T-nuts PART NO. ATT-4260 \$ 10.00



## TRACK MARKERS

A white dot to contrast against the black track makes the placement of the drill hole never a question.

PART NO. TRAK-MARK \$ 5.00



## T-NUT TOOL

Assists in the installation of T-nuts in all types of tracks. With the tool, pull the T-nut in place, then hold the T-nut in place from the backside and remove the tool. Put a drop of Loctite in the threads of the T-nut and stud, torque to 70-80 in/lbs and let dry.

1/4"-20 T-nuts PART NO. AST-4050 \$ 5.00

# woody's

▶ Engine

▶ Carburetion

▶ Drive System

▶ Tracks &amp; Suspension

▶ Steering

▶ Brakes &amp; Cables

▶ Starter Parts

▶ Electrical

▶ Accessories

▶ Tools

▶ Oil &amp; Filters

- Pistons
- Conrods
- Sleeves**
- Studs
- Cables
- Screen Kits
- Shop Manuals
- Carbides
- Drive Belts
- Skid Plates
- Shocks
- Clutch Parts

▶ Close-Outs

▶ ATV



Engine ◀



**40° STEEL HOOKER ELIMINATOR**

This Hooker stud screws into Hooker plates to use the sled's weight, transmitted through the slide rails for extremely positive traction. Select for hard ice race tracks. Through-hardened heat treated alloy steel with a tapered body for better penetration.

SIZE	THREAD	BEST USE	PART NO.	PACKAGE	PRICE
.440"	1/4"-20	Performance	HST-4400	48 studs	\$ 20.00
.675"	1/4"-20	Competition	HST-5761	42 studs	\$ 20.00

Carburetion ◀

Drive System ◀



**CARBIDE HOOKER WEDGE**

This carbide hooker wedge is extremely durable for trail or competition use. Mounts in hooker plates.

SIZE	THREAD	BEST USE	PART NO.	PACKAGE	PRICE
.575"	1/4"-20	Any	HWC-5753	24 studs	\$ 40.00
.675"	1/4"-20	Any	HWC-5763	24 studs	\$ 45.00

Tracks & Suspension ◀

Steering ◀



**HOOKER SUPER PICK**

The performance Hooker carbide stud for demanding conditions, 50° machine ground for excellent penetration.

SIZE	THREAD	BEST USE	PART NO.	PACKAGE	PRICE
.575"		Competition	HSS-5752	48 studs	\$ 50.00
.675"		Competition	HSS-5762	48 studs	\$ 50.00

Brakes & Cables ◀

Starter Parts ◀



**CARBIDE HOOKER GOLD DIGGER**

Finest Hooker carbide stud made for trail use. The 80° carbide point provides good penetration, excellent durability and will not break out.

SIZE	THREAD	BEST USE	PART NO.	PACKAGE	PRICE
.575"	1/4"-20	Trail	HCT-5750	48 studs	\$ 40.00
.675"	1/4"-20	Trail	HCT-5760	48 studs	\$ 40.00
.750"	1/4"-20	Trail	HCT-5770	48 studs	\$ 40.00

Electrical ◀

Accessories ◀



**HOOKER PLATES**

Designed for direct mounting to track wear clips. Hardened alloy steel.

SIZE	QTY	PART NO.	PRICE
1" L x 5/8" W x 1/8"	48	HP-310w	\$ 20.00

Tools ◀

Oil & Filters ◀

- Pistons
- Conrods
- Sleeves
- Studs
- Cables
- Screen Kits
- Shop Manuals
- Carbides
- Drive Belts
- Skid Plates
- Shocks
- Clutch Parts
- Close-Outs ▶



**60° STEEL TRACTION MASTER**

Woody's 7MM Steel Traction Master, Through hardened steel body and 60° point are perfect for lake riding and racing. Proven 7mm shank is supported by a 7/8 inch Traction Master shaped head. Choice of two lengths. **Packs includes Nyloc nuts (24pcs comes with backer plate)**

SIZE	THREAD	PART NO.	PACKAGE	PRICE
0.850"	7mm	GSP-8500	24 studs, nuts, backer plates	
0.850"	7mm	GSP-8500-B	96 studs & nuts	
1.000"	7mm	GSP-1000	48 studs & nuts	

ATV ◀





### 45° MODIFIED GOLD DIGGER

This high performance stud has a very sharp 45° carbide point. It was derived from our 60° stud with the larger carbide insert. This stud is designed for use in competition racing.



SIZE	THREAD	BEST USE	PART NO.	PACKAGE	PRICE
<b>Snap-off Studs</b>					
.875"	7mm	Competition	GDMX-8750	48 studs	\$ 70.00
.940"	7mm	Competition	GDMX-9400	48 studs	\$ 70.00
1.000"	7mm	Competition	GDMX-1000	48 studs	\$ 70.00



SIZE	THREAD	BEST USE	PART NO.	PACKAGE	PRICE
<b>T-Nut Studs</b>					
.750"	7mm	Competition	GDM-7500	48 studs	\$ 50.00
.875"	7mm	Competition	GDM-8750	48 studs	\$ 50.00
.920"	7mm	Competition	GDM-9200	48 studs	\$ 50.00
1.000"	7mm	Competition	GDM-1000	48 studs	\$ 50.00

### 40° SUPER PICK

A very sharp 40° carbide point and a tapered, thin profile body for deep peration.

This is a race competition stud. The 40° point with the larger carbide angle is machine ground for use on rubber tracks.



SIZE	THREAD	BEST USE	PART NO.	PACKAGE	PRICE
<b>Snap-off Studs</b>					
.820"	¼"-20	Competition	GSRX-8200	48 studs	\$ 70.00
.875"	¼"-20	Competition	GSRX-8750	48 studs	\$ 70.00
.920"	¼"-20	Competition	GSRX-9400	48 studs	\$ 70.00
1.000"	¼"-20	Competition	GSRX-1000	48 studs	\$ 70.00

### 30° ELIMINATOR STEEL

Ideal for drag racing and speed runs. This through-hardened, heat-treated alloy steel pick has a thin taper profile and a 30° point for maximum peration on hard ice. The 370" thread length can be used on all rubber tracks.



SIZE	THREAD	BEST USE	PART NO.	PACKAGE	PRICE
<b>Snap-off Studs</b>					
.875"	¼"-20	Competition	GELX-8750	48 studs	\$ 45.00
.875"	7mm	Competition	GELX-8757	48 studs	\$ 45.00
.940"	7mm	Competition	GELX-9400	48 studs	\$ 45.00
1.000"	¼"-20	Competition	GELX-1000	48 studs	\$ 45.00



SIZE	THREAD	BEST USE	PART NO.	PACKAGE	PRICE
<b>T-Nut Studs</b>					
.700"	¼"-20	Competition	GEL-7000	48 studs	\$ 40.00
.875"	¼"-20	Competition	GEL-8750	48 studs	\$ 40.00
.875"	7mm	Competition	GEL-8757	48 studs	\$ 40.00
1.000"	¼"-20	Competition	GEL-1000	48 studs	\$ 40.00
1.000"	7mm	Competition	GEL-1007	48 studs	\$ 40.00
1.200"	7mm	Competition	GEL-1200	48 studs	\$ 40.00



### 80° CARBIDE GOLD DIGGER

This 80° carbide stud delivers solid longevity and good trail traction at a popular price.

Comes with a 1" T-nut.

SIZE	THREAD	BEST USE	PART NO.	PACKAGE	PRICE
1.000"	7mm	Trail	GDC-1000	24 studs	\$ 15.00
1.075"	7mm	Trail	GDC-1075	24 studs	\$ 15.00
.875"	7mm	Trail	GDC-8750-B	96 studs	\$ 60.00
1.000"	7mm	Trail	GDC-1000-B	96 studs	\$ 60.00
1.075"	7mm	Trail	GDC-1075-B	96 studs	\$ 60.00



### CARBIDE ARROW WEDGE

A very large carbide wedge is brazed into a steel body for deep peration. Position the wedge in line with sled travel and the stud will aid in cornering control. Rotate the wedge 90° and the stud hooks up for stopping and starting traction. Or use a combination of positions on your track.

SIZE	THREAD	BEST USE	PART NO.	PACKAGE	PRICE
.875"	7mm	Trail	GDW-8750	24 studs	\$ 25.00
.750"	7mm	Trail	GDW-7500-B	96 studs	\$ 100.00
.875"	7mm	Trail	GDW-8750-B	96 studs	\$ 100.00
1.000"	7mm	Trail	GDW-1000-B	96 studs	\$ 100.00



▶ Engine

▶ Carburetion

▶ Drive System

▶ Tracks &amp; Suspension

▶ Steering

▶ Brakes &amp; Cables

▶ Starter Parts

▶ Electrical

▶ Accessories

▶ Tools

▶ Oil &amp; Filters

- Pistons
- Conrods
- Sleeves
- Studs
- Cables
- Screen Kits
- Shop Manuals
- Carbides
- Drive Belts
- Skid Plates
- Shocks
- Clutch Parts

▶ Close-Outs

▶ ATV



Engine



Carburetion



Drive System



Tracks & Suspension



Steering



Brakes & Cables



Starter Parts



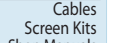
Electrical



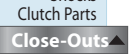
Accessories



Tools



Oil & Filters



Close-Outs



ATV

- Pistons
- Conrods
- Sleeves
- Studs
- Cables
- Screen Kits
- Shop Manuals
- Carbides
- Drive Belts
- Skid Plates
- Shocks
- Clutch Parts

Close-Outs

Close-Outs

Close-Outs

Close-Outs

Close-Outs

Close-Outs

Close-Outs

Close-Outs

Close-Outs

Close-Outs

### 60° GOLD DIGGER CARBIDE SNAP-OFF STUD

For excellent traction on hard-packed snow and ice.

SIZE	THREAD	BEST USE	PART NO.	PACKAGE	PRICE
.940	7mm	Trail	GDCX-9400	48 studs	\$ 50.00

### STEEL CHISEL TOOTH

The race proven durable T-nut Chisel Tooth Stud is the secret to winning drags on grass and ice. It's through-hardened heat treated alloy steel flat blade perates and grabs surface material for maximum traction. This is a single point stud that works like a scooper stud with much greater peration.

SIZE	THREAD	BEST USE	PART NO.	PACKAGE	PRICE
.875"	¼"-20	Any	CTLX-8750	48 studs	\$ 65.00

### STEEL GOLD DIGGER II

High quality through-hardened steel. Its sharp 60° point provides the necessary peration for aggressive trail riding.

SIZE	THREAD	BEST USE	PART NO.	PACKAGE	PRICE
.850"	7 mm	Competition	GDS-8507	24 studs & 24 T-nuts	\$ 20.00
.850"	7 mm	Competition	GDS-8507-B	96 studs only	\$ 50.00

### STEEL STAR WASHERS

ID-THICKNESS	QUANTITY	PART NO.	PRICE
¼" - .025"	48	HSW-4800	\$ 4.00

### GRASS PLUS

A scooper plate that works on grass, ice and snow. Has a 45° angle that lays flat against the rubber lug and the track. Two arrow-head scoopers extend above the surface of the track.

SIZE	BEST USE	PART NO.	PACKAGE	PRICE
.850"	Trail	DPS-8500	12 plates	\$ 25.00
1.100"	Trail	DPS-1000	12 plates	\$ 25.00

### THREE POINT SCOOPER

Its triple points and terrain holding blade is designed for maximum traction on grass and snow. Light weight aluminium. The hole pattern is interchangeable with Bender Stud Mate plates.

SIZE	BEST USE	PART NO.	PACKAGE	PRICE
.875"	Aluminum	DAP-8750	24 studs	\$ 25.00
.850"	Steel	DAP-8500	24 studs	\$ 36.00

## X-Calibur ULTRA LITE BACKERS



Finally, no compromises. Space Age Strength and Dramatic weight savings. The Ultra-Lite's unique one piece design delivers strength superior to steel for about 1/6 the weight. Takes the place of traditional backing plate and nut. Self-tapping. Made from a special nylon composite for superior strength. Will fit all sizes of push-through studs.

Guaranteed 4-6 pound weight loss in one hour, based on 144-240 studs. Will fit all push-through studs ¼", 7mm, 5/16".



PART NO.	QTY	COLOUR	SIZE	PRICE
14-500-82-B	96	Red	5/16"	\$D 69.95
14-500-83-B	96	Blue	5/16"	\$D 69.95
14-500-87-B	96	Yellow	5/16"	\$D 69.95



# TRACTION PRODUCTS



## STEEL PICKS



- ▶ Engine
- ▶ Carburetion
- ▶ Drive System
- ▶ Tracks & Suspension
- ▶ Steering
- ▶ Brakes & Cables

- This stud is most popular due to ease of installation
- Carbide delivers durability and good trail traction
  - The rounded head has a radius that allows you to place the stud directly under drive and idler wheels
  - 7mm thread and 7/8" head overcome torque loads
  - High nickel content for maximum strength when heat treated
  - 1" Head overcome torque loads
  - Machined, not cold headed to allow us to use better material
  - Nyloc nut included
  - Ice Racing Stud
  - 30° aggressive point, slender profile, very sharp!
  - Made with hardened steel alloy
  - Thru hardened, resharpenable
  - Maximum penetration obtained
  - Long Barrel T -Nuts are ideal for most traction needs



PART NO.	QTY	SIZE / LENGTH	THREAD	PRICE
14-282	20	3/4" .75"	1/4" - 20	\$B 39.09
14-282-B	100	3/4" .75"	1/4" - 20	\$B 100.00
14-285	20	7/8" .875"	1/4" - 20	\$B 39.09
14-285-B	100	7/8" .875"	1/4" - 20	\$B 137.08
14-2900C	24	1" 1"	1/4" - 20	\$B 39.09
14-2900C-B	96	1" 1"	1/4" - 20	\$B 137.08

- ▶ Starter Parts
- ▶ Electrical
- ▶ Accessories
- ▶ Tools
- ▶ Oil & Filters
- ▶ Pistons
- ▶ Conrods
- ▶ Sleeves
- ▶ Studs
- ▶ Cables
- ▶ Screen Kits
- ▶ Shop Manuals
- ▶ Carbides
- ▶ Drive Belts
- ▶ Skid Plates
- ▶ Shocks
- ▶ Clutch Parts

▶ Close-Outs

- ▶ ATV



## SHORT BARREL T-NUTS

- Standard size head with a short barrel for thin belted tracks
- 3/4" head with a 3/16" barrel and 1/4" - 20 threads

24 T-nuts      PART NO. 14-401-S      \$B 10.28



## STEEL WASHERS



SIZE	QTY	PART NO.	PRICE
Round Washers 7mm	24	14-122-7	\$B 7.95
Round Washers 7mm	96	14-122-7B	\$B 23.95
Square Washers 1/4"	24	14-121	\$B 7.95
Square Washers 1/4"	96	14-121-B	\$B 23.95



## 5/16" ALUMINUM SUPPORT PLATES

SHAPE	QTY	PART NO.	PRICE
Square	24 pc	14-128-05	\$ 7.00
Round	24 pc	14-127-05	\$ 7.00
Square	96 pc	14-128-05B	\$ 25.00
Round	96 pc	14-127-05B	\$ 25.00

# TRACTION PRODUCTS



Engine ◀

Carburetion ◀

Drive System ◀

Tracks & Suspension ◀

Steering ◀

Brakes & Cables ◀

Starter Parts ◀

Electrical ◀

Accessories ◀

Tools ◀

Oil & Filters ◀

Pistons  
Conrods  
Sleeves  
Studs  
Cables  
Screen Kits  
Shop Manuals  
Carbides  
Drive Belts  
Skid Plates  
Shocks  
Clutch Parts

Close-Outs ◀

ATV ◀

## BOLTS AND T-NUTS

Zinc plated, self locking bolts and T-nuts - used to bolt-on grauser bars and stamp studs.

20 bolts & 20 T-nuts

PART NO. 14-007

\$B 7.95



## RECTANGULAR & SQUARE CLEAT STUDS

A stud designed specifically for **cleated tracks** - primarily for cornering and braking. Great for all winter conditions.

**Rectangular** 1-3/4" x 3/4" with 5/8" depth. **Square** 3/4" x 3/4" with 5/8" depth.

20 studs	RECTANGULAR	PART NO. 14-011	\$B 12.00
100 studs	RECTANGULAR	PART NO. 14-011-B	\$B 55.00
20 studs	SQUARE (FOUR PRONG)	PART NO. 14-003	\$B 12.00
100 studs	SQUARE (FOUR PRONG)	PART NO. 14-003-B	\$B 55.00
20 studs	SQUARE (TWO PRONG)	PART NO. 14-016	\$B 12.00
100 studs	SQUARE (TWO PRONG)	PART NO. 14-016-B	\$B 55.00

# TRACK CLEATS



MODEL	YEAR	OEM NO.	LENGTH (INCHES)	PART NO.	PRICE
<b>ARCTIC CAT</b>					
Cross Country Cat	1976	0102-202	10.5	04-092-01	\$B 6.16
Cheetah	1973-78	0102-086	11	04-092	\$B 6.16
El Tigre	1974-80	0102-093	10	04-093	\$B 6.16
El Tigre	1973-74		14.5	04-091	\$B 6.16
EXT	1971-72		14.5	04-091	\$B 6.16
EXT	1972	0102-034	10	04-093	\$B 6.16
Lynx	1973-74	0102-086	11	04-092	\$B 6.16
Lynx	1975-76	0102-093	10	04-093	\$B 6.16
Lynx	1977-79	0102-093	10	04-093	\$B 6.16
Pantera	1975	0102-086	11	04-092	\$B 6.16
Pantera	1976-79	0102-202	10.5	04-092-01	\$B 6.16
Panther	1973-79	0102-086	11	04-092	\$B 6.16
Puma	1973	0102-086	11	04-092	\$B 6.16
Trail Cat	1979-81	0102-093	10	04-093	\$B 6.16
<b>MERCURY</b>					
All cleated models			14.25	04-095	\$B 6.16
<b>POLARIS</b>					
Custom	1974	5221693	17.25	04-096-01	\$B 6.16
Electra	1974-77	5221693	17.25	04-096-01	\$B 6.16
<b>SCORPION</b>					
Range Whip	1976-78	043952	10	04-093	\$B 6.16
Sting	1977-79	043952	10	04-093	\$B 6.16

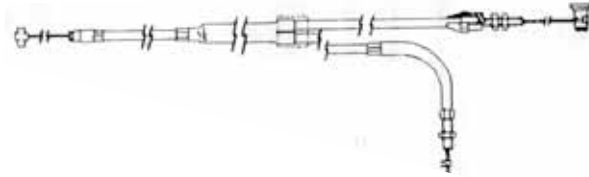
# CONTROL CABLES

## ARCTIC CAT THROTTLE CABLES

	OEM NO.	PART NO.	PRICE
1981 EL Tigre		05-978	\$ 5.00
Pantera 5000F-C/ES 1981 Panther 1984-88 Jag 1985, Super Jag 87-88 Cougar Special 1985 Jag AFS/DLX 1990-91 Panther/DLX 1990-91 Mountain Cat 1990-91	0187-076	09-0003	\$B 15.00
EL Tigre 340 1975 EL Tigre 440 1975-76 EL Tigre 500 1976 4000/5000 1977 5000F-A 1978 6000L-C 1978 Cross Country Cat 340 1976 Pantera 5000 1976 F/A 1977-78	0187-037	09-0006	\$B 15.00
EL Tigre F-A/L-C 1979 Cross Country L-C 1979	0187-049	09-0006	\$B 15.00

## ARCTIC CAT THROTTLE CABLE

PART NO. 05-139-23 \$B 15.00  
OEM: 0187-076, 0687-002  
1981 Pantera 5000 F/C, 5000 F/C-ES  
1984-95 Panther, Deluxe  
1985 Cougar, Cougar Special Edition, Jag  
1986-88 Jag, 440  
1987-88 Panther, Super Jag  
1990 Jag AFS, Delux



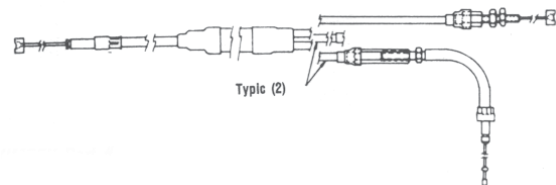
- ▶ Engine
- ▶ Carburetion
- ▶ Drive System

## SKI-DOO THROTTLE CABLES

	OEM NO.	PART NO.	PRICE
Mirage Spacial 1982	414-4507-00	09-0027	\$B 15.00
Citation SS 1982-83	414-4507-00	09-0027	\$B 15.00

## SKI-DOO THROTTLE CABLE

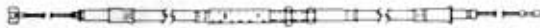
PART NO. 05-139-26 \$B 15.00  
OEM: 414.4507.00  
1982 Mirage Special  
1982-83 Citation SS



- ▶ Tracks & Suspension
- ▶ Steering

## SKI-DOO THROTTLE CABLE

PART NO. 05-138-20 \$B 15.00  
OEM: 414.3667.00, 414.4746.00  
1980-82 Alpine 640ER  
1983 Alpine 500



- ▶ Brakes & Cables
- ▶ Starter Parts



## CHOKE CABLE

14" Universal, Single 05-908 \$6.00

## THROTTLE/BRAKE CABLES

3/64" Inner Throttle Cable w/Ferrule & Ball End, 49" 05-905 \$1.00  
1/16" Inner Brake Cable w/Ferrule, 52" 05-906-02 \$1.00  
1/16" Inner Brake Cable w/Ferrule, 62" 05-906-03 \$1.00

- ▶ Electrical

- ▶ Accessories

- ▶ Tools



## FERRULES FITTINGS

Brass Ferrules 3/16 Dia. Used on Throttle & Brake Cables 05-903 \$0.15



## OUTER HOUSING CABLE ENDS

Chrome Plated Metal Ends. Fit 3/16" Outer Housing Cable 05-936 \$0.15



## OUTER HOUSING CABLE ADJUSTERS WITH LOCKNUTS

For 3/16" Outer Housing Cable 05-935 \$0.90

- ▶ Oil & Filters

- Pistons
- Conrods
- Sleeves
- Studs
- Cables
- Screen Kits
- Shop Manuals
- Carbides
- Drive Belts
- Skid Plates
- Shocks
- Clutch Parts

- ▶ Close-Outs

- ▶ ATV

# CLOSE OUT

## \$B 55.30kit

**MADE FROM STEEL AND POWDER COATED TO MATCH YOUR SLED.**  
**THESE SCREENS KEEP OUT UNWANTED DEBRIS AND SNOW FROM UNDER YOUR HOOD.**  
**BAKED-ON FINISH TO WITHSTAND THE ELEMENTS**



Engine



Carburetion

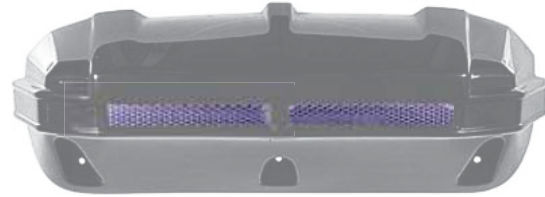


Drive System



### POLARIS NOSE CONE SCREENS

Fits all P1 polaris applications available in:  
**Blue, Red, Pink, Purple, Black & White**



**PART NO. 12-PCN-(COLOUR)**  
**\$10.00 NET**

#### ARCTIC CAT

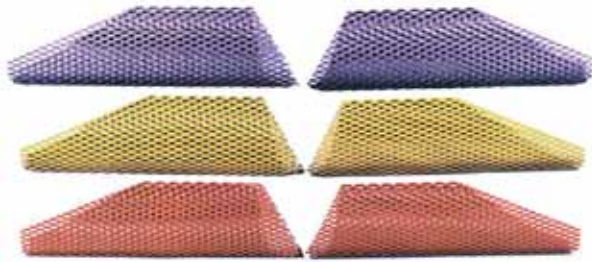
	MODEL	YR.	PART NO.	COLOURS, PLEASE SPECIFY
Tracks & Suspension	BEARCAT MODELS	99-02	A1	WHITE, PURPLE, YELLOW, BLACK
	COUGAR	9-94	A5	PURPLE
	COUGAR	95-97	A3	PURPLE, ORANGE
	COUGAR MODELS	98	A3	PURPLE, ORANGE
Steering	EXT	91-92	A4	PURPLE
	EXT	93	A2	NEON GREEN, ORANGE, BLACK
	EXT	94-96	A1	WHITE, PURPLE, YELLOW, BLACK
	EXT 580/EFI/DLX	98	A1	WHITE, PURPLE, YELLOW, BLACK
	EXT 600	98	A6	GREEN, PURPLE, ORANGE, YELLOW, WHITE, BLACK
Brakes & Cables	EXT all models	97	A1	WHITE, PURPLE, YELLOW, BLACK
	JAG	91-96	A5	PURPLE
	MOUNTAIN CAT 1000	01-02	A9	PURPLE, BLACK
	PANTERA	91-94	A4	PURPLE, BLACK
Starter Parts	PANTERA	95-98	A6	GREEN, PURPLE, ORANGE, YELLOW, WHITE, BLACK
	PANTERA MODELS	99-01	A9	PURPLE, BLACK
	PANTHER	96-98	A3	PURPLE, ORANGE
	POWDER EXT	98	A6	GREEN, PURPLE, ORANGE, YELLOW, WHITE, BLACK
	POWDER SPECIAL	98-00	A8	GREEN, CANDY PURPLE, BLACK
	PROWLER	91-93	A4	PURPLE
	PROWLER	94	A1	WHITE, PURPLE, YELLOW, BLACK
Electrical	PROWLER	95	A3	PURPLE, ORANGE
	PUMA	93-96	A5	PURPLE
	THUNDERCAT	93-95	A2	NEON GREEN, ORANGE, BLACK
	THUNDERCAT	96-97	A6	GREEN, PURPLE, ORANGE, YELLOW, WHITE, BLACK
	THUNDERCAT	01-02	A9	PURPLE, BLACK
Accessories	THUNDERCAT	98	A6	GREEN, PURPLE, ORANGE, YELLOW, WHITE, BLACK
	THUNDERCAT/MC	99-00	A9	PURPLE, BLACK
	TRIPLE TOURING	99-00	A9	PURPLE, BLACK
	TRIPLE TOUR. 600	01	A9	PURPLE, BLACK
Tools	WILDCAT	92-95	A2	NEON GREEN, ORANGE, BLACK
	WILDCAT	96	A1	WHITE, PURPLE, YELLOW, BLACK
	Z 440	95-97	A1	WHITE, PURPLE, YELLOW, BLACK
Oil & Filters	Z all models	99-00	A8	GREEN, CANDY PURPLE, BLACK
	Z440	98	A8	GREEN, CANDY PURPLE, BLACK
	ZL	97	A1	WHITE, PURPLE, YELLOW, BLACK
	ZL all models	01-02	A11	GREEN
	ZR 580	96	A1	WHITE, PURPLE, YELLOW, BLACK
	ZR 580 all models	94-97	A1	WHITE, PURPLE, YELLOW, BLACK
	ZR all models	98-99	A8	GREEN, CANDY PURPLE, BLACK
	ZR-580/700	93	A1	WHITE, PURPLE, YELLOW, BLACK
	ZRT 800	95	A6	GREEN, PURPLE, ORANGE, YELLOW, WHITE, BLACK
	ZRT all models	97	A3	PURPLE, ORANGE
Close-Outs	ZRT all models	98	A6	GREEN, PURPLE, ORANGE, YELLOW, WHITE, BLACK
	ZRT all models	99-02	A9	PURPLE, BLACK

#### POLARIS

	MODEL	YR.	PART NO.	COLOURS, PLEASE SPECIFY
	440	96-97	P2	CANDY BLUE, CANDY RED, PINK, TEAL, PURPLE, WHITE, BLACK
	440 XCR	99-00	P4	RED, BLUE, PURPLE
	440/500	94	P2	CANDY BLUE, CANDY RED, PINK, TEAL, PURPLE, WHITE, BLACK
	440/500	98	P2	CANDY BLUE, CANDY RED, PINK, TEAL, PURPLE, WHITE, BLACK
	500	97	P2	CANDY BLUE, CANDY RED, PINK, TEAL, PURPLE, WHITE, BLACK
	500 CLASSIC	99	P2	CANDY BLUE, CANDY RED, PINK, TEAL, PURPLE, WHITE, BLACK
	500 CLASS./TOUR.	98	P2	CANDY BLUE, CANDY RED, PINK, TEAL, PURPLE, WHITE, BLACK
	500/600/700 XC/SP	99-00	P4	RED, BLUE, PURPLE
	500/CLASSIC/RMK	99-00	P2	CANDY BLUE, CANDY RED, PINK, TEAL, PURPLE, WHITE, BLACK
	600 RMK	98	P1	CANDY RED, CANDY PINK
	600 SP	96	P3	RED, BLUE, PINK, PURPLE, WHITE
	600/700 RMK	99-00	P4	RED, BLUE, PURPLE
	700 & 500 CLASSIC	01	P4	RED, BLUE, PURPLE
	700 SKS	00	P4	RED, BLUE, PURPLE
	700/800 XCR	00	P3	RED, BLUE, PINK, PURPLE, WHITE
	700/800 XRC	99	P3	RED, BLUE, PINK, PURPLE, WHITE
	800 XCR	01-02	P4	RED, BLUE, PURPLE
	ALL MODELS	88-89	P1	CANDY RED, CANDY PINK
	ALL RMK	01	P4	RED, BLUE, PURPLE
	ALL SKS Models	01	P4	RED, BLUE, PURPLE
	CLASSIC	95-97	P2	CANDY BLUE, CANDY RED, PINK, TEAL, PURPLE, WHITE, BLACK
	CLASSIC TOURING	01-02	P4	RED, BLUE, PURPLE
	INDY 600, 500 CLASSIC TOURING	03	P4	RED, BLUE, PURPLE
	INDY 700 SKS	02	P4	RED, BLUE, PURPLE
	INDY 800 XCR	03	P4	RED, BLUE, PURPLE
	INDY TRAIL	03	P4	RED, BLUE, PURPLE
	INDY TRAIL RMK	03	P4	RED, BLUE, PURPLE
	INDY WIDETRAK LX	03	P4	RED, BLUE, PURPLE
	INDY XCR	99-00	P4	RED, BLUE, PURPLE
	RMK-500, INDY TRL	02	P4	RED, BLUE, PURPLE
	RXL	96	P1	CANDY RED, CANDY PINK
	SPORT TOURING	99-02	P4	RED, BLUE, PURPLE
	SPORT TOURING	03	P4	RED, BLUE, PURPLE
	SPORT/SUPER SPRT	99-00	P4	RED, BLUE, PURPLE
	SPORTS	96	P1	CANDY RED, CANDY PINK
	STORM	96-98	P3	RED, BLUE, PINK, PURPLE, WHITE
	SUPER SPORT	98	P1	CANDY RED, CANDY PINK
	TRAIL	95	P2	CANDY BLUE, CANDY RED, PINK, TEAL, PURPLE, WHITE, BLACK
	TRAIL	99-00	P2	CANDY BLUE, CANDY RED, PINK, TEAL, PURPLE, WHITE, BLACK
	TRAIL RMK	98	P1	CANDY RED, CANDY PINK
	TRAIL RMK	99-00	P4	RED, BLUE, PURPLE, CANDY PURPLE, WHITE

ATV

# SCREEN KITS



**CLOSE OUT**  
**\$B 55.30kit**



**POLARIS cont'd**

MODEL	YR.	PART NO.	COLOURS, PLEASE SPECIFY
TRAILS	96	P2	CANDY BLUE, CANDY RED, PINK, TEAL PURPLE, WHITE, BLACK
TRAIL TOURING	98	P2	CANDY BLUE, CANDY RED, PINK, TEAL PURPLE, WHITE, BLACK
TRAIL TOURING	97-00	P2	CANDY BLUE, CANDY RED, PINK, TEAL PURPLE, WHITE, BLACK
TRAIL TOURING	02	P4	RED, BLUE, PURPLE
TRANSPORT	99-00	P4	RED, BLUE, PURPLE
ULTRAS	96	P1	CANDY RED, CANDY PINK, BLACK
ULTRAS	98	P1	CANDY RED, CANDY PINK
ULTRA SPX	97	P3	RED, BLUE, PINK, PURPLE, WHITE
ULTRA/TOURING	98	P3	RED, BLUE, PINK, PURPLE, WHITE

**POLARIS cont'd**

MODEL	YR.	PART NO.	COLOURS, PLEASE SPECIFY
WIDETRACKS	96	P1	CANDY RED, CANDY PINK
WIDETRAK	99-00	P4	RED, BLUE, PURPLE
XC 600/700	98	P1	CANDY RED, CANDY PINK
XCR 440	98	P1	CANDY RED, CANDY PINK
XCR 600	97	P3	RED, BLUE, PINK, PURPLE, WHITE
XCR 600/700	98	P3	RED, BLUE, PINK, PURPLE, WHITE
XLT	97	P2	CANDY BLUE, CANDY RED, PINK, TEAL PURPLE, WHITE, BLACK
XLT CLASSIC	99-00	P2	CANDY BLUE, CANDY RED, PINK, TEAL PURPLE, WHITE, BLACK
XLT CLASSIC/TOURING LTD.	98	P2	CANDY BLUE, CANDY RED, PINK, TEAL PURPLE, WHITE, BLACK
XLT SPECIAL	96	P1	CANDY RED, CANDY PINK
XLT SPECIAL	98-00	P3	RED, BLUE, PINK, PURPLE, WHITE
XLT TOURING	95	P2	CANDY BLUE, CANDY RED, PINK, TEAL PURPLE, WHITE, BLACK
XLT/CLASSIC/TOURING	99-00	P2	CANDY BLUE, CANDY RED, PINK, TEAL PURPLE, WHITE, BLACK

- ▶ Engine
- ▶ Carburetion
- ▶ Drive System
- ▶ Tracks & Suspension

▶ Steering

▶ Brakes & Cables

▶ Starter Parts

▶ Electrical

▶ Accessories

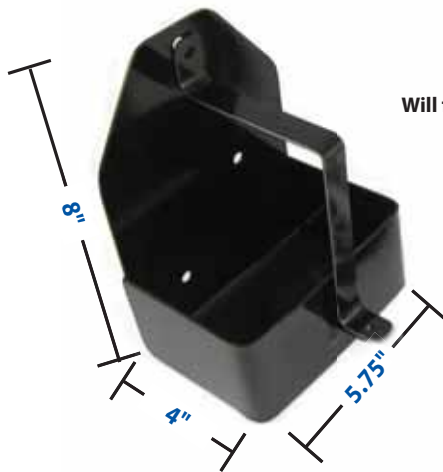
▶ Tools

▶ Oil & Filters

- Pistons
- Conrods
- Sleeves
- Studs
- Cables
- Screen Kits
- Shop Manuals
- Carbides
- Drive Belts
- Skid Plates
- Shocks
- Clutch Parts

▶ Close-Outs

▶ ATV



## BATTERY HOLDER

Comes with everything shown.  
Will fit a battery with dimensions equal or smaller to 5 5/8" L x 3 3/4" W x 6 1/2" H

PART NO. EFI 106040



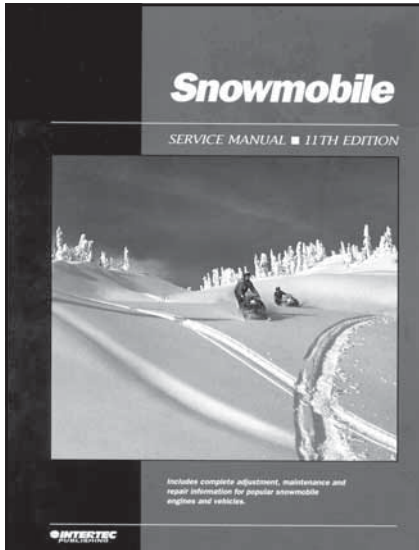
# SPARK PLUGS



**BOSCH**

Just a few left: Bosch W4C2 plugs (=NGK B7ES) \$ 1.00

# SHOP MANUALS



**SNOWMOBILE SERVICE MANUAL  
11TH EDITION**  
Includes complete adjustment,  
maintenance and repair information  
for popular snowmobile engines and  
vehicles.

15-SMS-11 ..... \$B 33.95

Engine

Carburetion

Drive System

Tracks & Suspension

Steering

Brakes & Cables

Starter Parts

Electrical

Accessories

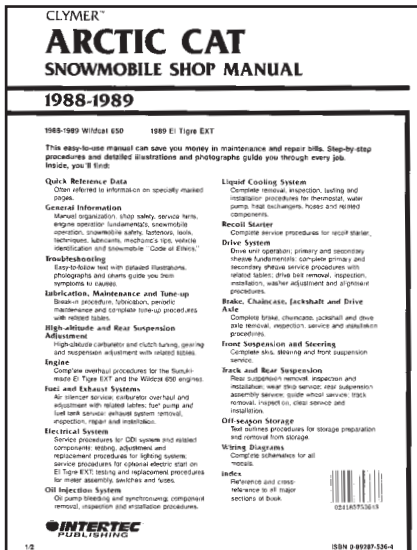
Tools

Oil & Filters

- Pistons
- Conrods
- Sleeves
- Studs
- Cables
- Screen Kits
- Shop Manuals
- Carbides
- Drive Belts
- Skid Plates
- Shocks
- Clutch Parts

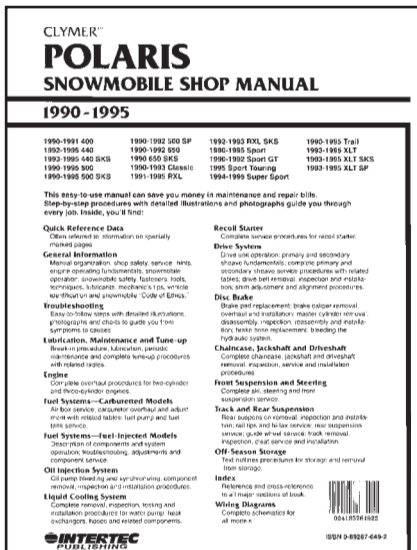
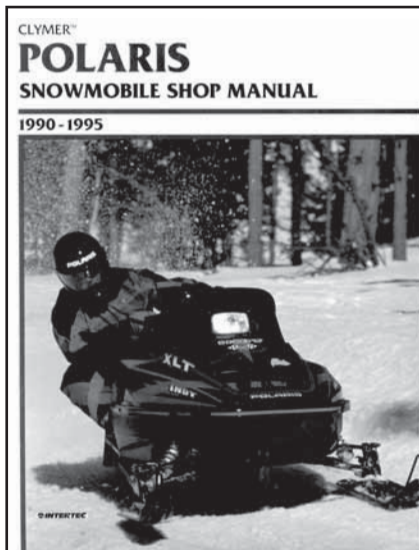
Close-Outs

ATV



**ARCTIC CAT SNOWMOBILE SHOP  
MANUAL**

15-835 ..... \$B 33.95



**POLARIS SNOWMOBILE SHOP  
MANUAL (1990-1995)**

15-833 ..... \$B 33.95

# SHOP MANUALS



- ▶ Engine
- ▶ Carburetion
- ▶ Drive System
- ▶ Tracks & Suspension

## POLARIS SNOWMOBILE SHOP MANUAL (1984-1989)

15-832 ..... \$B 33.95

CLYMER™  
**POLARIS**  
SNOWMOBILE SHOP MANUAL  
1984-1989

**1984-1989** Inlay Trail  
1984-1989 Inlay 400

**1984-1987** Inlay 400  
1987-1989 Inlay 400

**1988-1989** Inlay 600  
1988 Inlay 600

This easy-to-use manual can save you money in maintenance and repair bills. Step-by-step procedures and detailed illustrations and photographs guide you through every job. Inside, you'll find:

- Quick Reference Data** Other related information on specially marked pages.
- General Information** Manual organization, shop safety, service lists, engine operation fundamentals, snowmobile operation, snowmobile safety, helmets, tools, techniques, lubricants, motorist's file, vehicle identification and snowmobile "Code of Ethics".
- Troubleshooting** Easy-to-use text with detailed illustrations, photographs and charts guide you from symptoms to causes.
- Lubrication, Maintenance and Tune-up** Break-in procedure, lubrication, periodic maintenance and complete tune-up procedures with related tables.
- High-Altitude and Rear Suspension Adjustment** High-altitude carburetor and clutch tuning, gearing and suspension adjustment with related tables.
- Engine** Complete overhaul procedures for two cylinder and three cylinder engines.
- Fuel and Exhaust Systems** Air filter service, carburetor overhaul and adjustment with related tables, fuel pump and fuel tank service, exhaust system removal, inspection, repair and installation.
- Electrical System** Wiring, adjustment and replacement procedures for starting, charging and ignition systems.
- Oil Injection System** Oil pump bleeding and stroke adjustment, adjustment, inspection and replacement procedures.
- Oil Pump Bleeding and Synchronizing** Component removal, inspection and installation procedures.

CLYMER PUBLICATIONS

ISBN 0-8320-071-2

## SKI-DOO SNOWMOBILE SHOP MANUAL (1985-1989)

15-829 ..... \$B 33.95

CLYMER™  
**SKI-DOO**  
SNOWMOBILE SHOP MANUAL  
1985-1989

**1985-1989** Formula MX  
1985 Formula MX HighAltitude (MX)

**1985-1989** Formula Plus  
1987-1989 Formula MX LT

**1989** Formula Plus LT  
1989 Formula Match 1

This easy-to-use manual can save you money in maintenance and repair bills. Step-by-step procedures and detailed illustrations and photographs guide you through every job. Inside, you'll find:

- Quick Reference Data** Other related information on specially marked pages.
- General Information** Manual organization, shop safety, service lists, engine operation fundamentals, snowmobile operation, snowmobile safety, helmets, tools, techniques, lubricants, motorist's file, vehicle identification and snowmobile "Code of Ethics".
- Troubleshooting** Easy-to-use text with detailed illustrations, photographs and charts guide you from symptoms to causes.
- Lubrication, Maintenance and Tune-up** Break-in procedure, lubrication, periodic maintenance and complete tune-up procedures with related tables.
- High-Altitude and Rear Suspension Adjustment** High-altitude carburetor and clutch tuning, gearing and suspension adjustment with related tables and altitude and temperature correction charts.
- Engine** Complete overhaul procedures for 407, 535, 575 and 603 model engines.
- Fuel and Exhaust Systems** Air filter service, carburetor overhaul and adjustment with related tables, fuel pump and fuel tank service, exhaust system removal, inspection, repair and installation.
- Electrical System** Wiring, adjustment and replacement procedures for starting, charging and ignition systems.
- Oil Injection System** Oil pump bleeding and stroke adjustment, adjustment, inspection and replacement procedures.

INTEKTEC™  
PUBLISHING

ISBN 0-8320-521-6

- ▶ Steering
- ▶ Brakes & Cables
- ▶ Starter Parts
- ▶ Electrical
- ▶ Accessories

## YAMAHA SNOWMOBILE SHOP MANUAL (1984-1989)

15-826 ..... \$B 33.95

CLYMER™  
**YAMAHA**  
SNOWMOBILE SHOP MANUAL  
1984-1989

**1984-1989** PZ40E  
1987-1989 EX370

This easy-to-use manual can save you money in maintenance and repair bills. Step-by-step procedures and detailed illustrations and photographs guide you through every job. Inside, you'll find:

- Quick Reference Data** Other related information on specially marked pages.
- General Information** Manual organization, shop safety, service lists, engine operation fundamentals, snowmobile operation, snowmobile safety, helmets, tools, techniques, lubricants, motorist's file, vehicle identification and snowmobile "Code of Ethics".
- Troubleshooting** Easy-to-use text with detailed illustrations, photographs and charts guide you from symptoms to causes.
- Lubrication, Maintenance and Tune-up** Break-in procedure, lubrication, periodic maintenance and complete tune-up procedures with related tables.
- High-Altitude and Rear Suspension Adjustment** High-altitude carburetor and clutch tuning, gearing and suspension adjustment with related tables.
- Engine** Complete overhaul procedures for PZ40E and EX370 model engines.
- Fuel and Exhaust Systems** Air filter service, carburetor overhaul and adjustment with related tables, fuel pump and fuel tank service, exhaust system removal, inspection, repair and installation.
- Electrical System** Wiring, adjustment and replacement procedures for starting, charging and ignition systems.
- Oil Injection System** Oil pump bleeding and stroke adjustment, adjustment, inspection and replacement procedures.

INTEKTEC™  
PUBLISHING

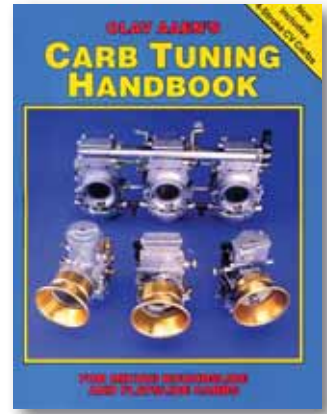
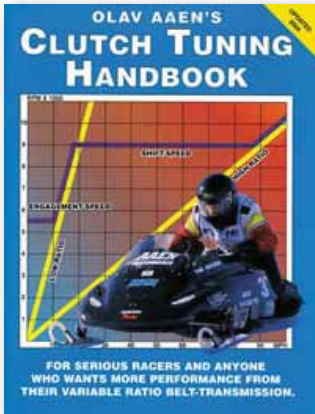
ISBN 0-8320-503-6

- ▶ Tools
- ▶ Oil & Filters
- ▶ Pistons
- ▶ Conrods
- ▶ Sleeves
- ▶ Studs
- ▶ Cables
- ▶ Screen Kits
- ▶ Shop Manuals
- ▶ Carbides
- ▶ Drive Belts
- ▶ Skid Plates
- ▶ Skid Shocks
- ▶ Clutch Parts
- ▶ Close-Outs
- ▶ ATV

# SHOP MANUALS

## CLUTCH TUNING HANDBOOK

## CARB TUNING HANDBOOK



**Engine** Our popular Clutch Tuning Handbook has been revised for the fourth time, bringing you the latest in clutching technology. Special chapters on clutch theory, testing, and flyweight grinding. If you are confused about how your clutch works, this book will save you time and money. A must-have if you want to be competitive.

Our updated Carb Tuning Handbook covers the basics in carb tuning, testing and racing. Mikuni Roundslide carbs, Flatslide carbs, and the new TMX are discussed in detail. A must for those who want to get the most out of their engine. Learn how to diagnose your carb's performance, what function the various components perform, and learn to use correct testing procedures and how to calibrate with the right tools. This book will prove invaluable for you.

**PART NO. BVS16003 \$B 36.69**

**PART NO. BVS16002 \$B 36.69**

Tracks & Suspension

Steering

Brakes & Cables

Starter Parts

Electrical

Accessories

Tools

Oil & Filters

- Pistons
- Conrods
- Sleeves
- Studs
- Cables
- Screen Kits
- Shop Manuals
- Carbides**
- Drive Belts
- Skid Plates
- Shocks
- Clutch Parts

Close-Outs

ATV



## CARBIDES

### ACS LIGHT

- LESS STEERING PRESSURE
- ENTRY LEVEL CARBIDE
- SAFER CASUAL RIDING
- WORKS WITH MINIMAL STUDDING (50-75)



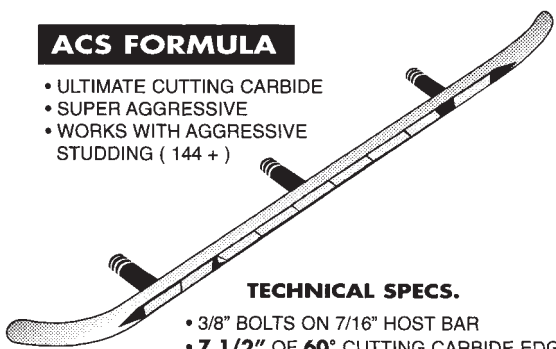
**\$B 68.26**

#### TECHNICAL SPECS.

- 5/16" BOLTS ON 7/16" HOST BAR
- 3" OF 3/16" CUTTING CARBIDE EDGE IN CENTRE OF BAR
- 1 1/2" WEAR PAD AT EACH END

### ACS FORMULA

- ULTIMATE CUTTING CARBIDE
- SUPER AGGRESSIVE
- WORKS WITH AGGRESSIVE STUDDING ( 144 + )



#### TECHNICAL SPECS.

- 3/8" BOLTS ON 7/16" HOST BAR
- 7 1/2" OF 60° CUTTING CARBIDE EDGE,
- 4 1/2" WEAR PAD

### ACS CHAMP

**\$B 84.75**

- AGGRESSIVE RIDER & CROSS COUNTRY RACER
- WORKS WITH AGGRESSIVE STUDDING ( 144 + )



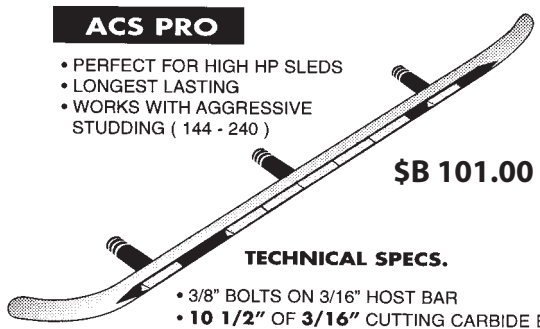
#### TECHNICAL SPECS.

- 3/8" BOLTS ON 7/16" HOST BAR
- 5" OF 60° CUTTING CARBIDE EDGE
- 4 1/2" WEAR PAD

### ACS PRO

**\$B 101.00**

- PERFECT FOR HIGH HP SLEDS
- LONGEST LASTING
- WORKS WITH AGGRESSIVE STUDDING ( 144 - 240 )



#### TECHNICAL SPECS.

- 3/8" BOLTS ON 3/16" HOST BAR
- 10 1/2" OF 3/16" CUTTING CARBIDE EDGE,
- 7 1/2" IN CENTRE 1 1/2" AT EACH END



# CARBIDES



## ARCTIC CAT

APPLICATION	YEAR	BOLTS	PART NO.	MODEL*
Bear Cat (steel ski)	1996-98	3	08-257-01	C
Bear Cat (plastic ski)	1999-05	4	08-257-03	L C F
Cheetah Touring	1986-91	4	08-257	P F
Cheetah Touring	1992-94	3	08-257-01	C
Cougar	1985-91	4	08-257	P F
Cougar	1992-98	3	08-257-01	C
El Tigre (all)	1985-91	4	08-257	P F
EXT MC	1991-97	3	08-257-01	C
EXT (Wavetrack)	1994-97	4	08-257	P F
Jag Special	1992-94	4	08-257	P F
Jag DLX	1992-99	3	08-257-01	C
Lynx DLX	1992-93	3	08-257-01	C
Mountain Cat (all)	2001-04	4	08-257-03	L C F
Pantera	1986-90	4	08-257	P F
Pantera	1991-97	3	08-257-01	C
Pantera	1997-05	4	08-257-03	L C F
Panther	1990-91	4	08-257	P F
Panther	1992-99	3	08-257-01	C
Panther	2000-05	4	08-257-03	L C F
Powder Special	1997-00	4	08-257-03	L C F
Prowler	1991-95	3	08-257-01	C
Prowler Special	1992-94	4	08-257	P F
Puma	1994-97	3	08-257-01	C
Thunder Cat	1993-95	3	08-257-01	C
Thunder Cat	1996	4	08-257	P F
Thunder Cat	1997-02	4	08-257-03	L C F
Wild Cat	1988-94	4	08-257	P F
Wild Cat	1995-96	3	08-257-01	C
Z (all)	1995-96	4	08-257	P F
Z (all)	1997-05	4	08-257-03	L C F
ZR (all)	1993-96	4	08-257	P F
ZR (all)	1997-01	4	08-257-03	L C F
ZRT (all)	1995-03	4	08-257-03	L C F

## POLARIS

APPLICATION	YEAR	BOLTS	PART NO.	MODEL*
All Indys	1980-85	4	08-253	L
All sleds (steel ski)	1988-05	3	08-253-02	P C

## SKI-DOO

APPLICATION	YEAR	BOLTS	PART NO.	MODEL*
All Revs (Precision)	2002-05	2	08-254-08	C
All Revs (Pilot)	2006-07	2	08-254-11	C
Formula 500/ 600/ 700	1999-01	4	08-254-07	P
Formula Z/ III	1993-96	3	08-254-02*	P C F
Formula Z/ III/ DLX	1999-01	4	08-254-07	P
Grand Touring, all	1994-96	3	08-254-02*	P C F
Grand Touring, all	1997-98	3	08-254-06	C
Grand Touring, all	1999-02	4	08-254-07	P
Grand Touring	2003-05	2	08-254-08	C
GSX, GTX (not Fan)	2004-05	2	08-254-08	C
GSX, GTX REV	2006-09	2	08-254-11	C
Legend (not Fan)	2002-05	2	08-254-08	C
Legend Touring	2008-09	2	08-254-11	C

## SKI-DOO cont'd

APPLICATION	YEAR	BOLTS	PART NO.	MODEL*
Mach I	1995-96	3	08-254-02*	P C F
Mach Z	1993-96	3	08-254-02*	P C F
Mach I/Z	1997-98	3	08-254-06	C
Mach I/Z	1999-02	4	08-254-07	P
Mach Z	2003-05	2	08-254-08	C
Mach Z / Adrenaline	2006-07	2	08-254-11	C
MXZ	1993-95	3	08-254-02*	P C F
MXZ	1996-97	4	08-254-05	P C F
MXZ	1998-02	4	08-254-07	P
MXZX	1997-02	4	08-254-07	P
MXZ (not Fan)	2002-05	2	08-254-08	C
MXZ (all)	2006-07	2	08-254-11	C
Skandic Tundra LT 550F/V800	2008-09	2	08-254-11	C
Summit 500/ 583	1994-96	3	08-254-02*	P C F
Summit 500/ 583/ 670	1997-98	3	08-254-06	C
Summit (all)	1999-05	4	08-254-07	P
Summit (all)	2006-07	2	08-254-11	C
Tundra	1985-98	2	08-254	S
Tundra	2006-2007	3	08-254-09	L M

## YAMAHA

APPLICATION	YEAR	BOLTS	PART NO.	MODEL*
Apex, Attak	2006-09	4	08-251-20	C P
Mountain Max 600/ 700	1992-97	5 (+6"Xtra)	08-251-135B	L P
Mountain Max 600/ 700	1997-99	4	08-251-16	P
Mountain Max 600/ 700	2000-04	4	08-251-18	P C
Nyro	2006-09	4	08-251-20	C P
Phazer 500, DLX	1999-00	3	08-251-17	M
Phazer	2001	4	08-251-20	M C P
Phazer	2007-09	4	08-251-20	M C P
SRX 600/700	1998-99	4	08-251-16	P
SX/SRX 600/ 700	2000-02	4	08-251-18	P C
V-Max 500/600	1994-96	4	08-251-14	P
V-Max 500/ 600/ 700/ XTC	1997-00	4	08-251-15	P F
V-Max 500/ 600/ 700/ XTC	2001-03	4	08-251-20	C P
Venture 500/ 600/ 700	1997-00	4	08-251-15	P F
Venture 500/ 600/ 700	2001-09	4	08-251-20	C P
Vector, Rage	2005-09	4	08-251-20	C P
Viper, Venom	2002-06	4	08-251-20	C P
Warrior, RX-1	2003-05	4	08-251-20	C P

## G&A / KIMPEX / MTV / SIMMONS / SNOSTUFF / USI

APPLICATION	BOLTS	PART NO.	MODEL*
C&A Pro	4	08-250-04	C P F
Simmons	2	08-250-01	F
Uni-Ski (MTV)	3	08-255	P
VX301 USI 6"	4	08-00-SC6	C
VX301 USI 8"	4	08-00-SC8	F
PX301 USI 6"	5	08-00-SC60	C
PX301 USI 8"	5	08-00-SC80	F

# DISCONTINUED SKIS

**PART NO. 08-296 \$35.00**  
BLACK ENAMEL PAINTED

### SKI-DOO

OEM No. 505.0354.00 use

505.0373.00

1981 Nordik

1982 Nordik/Skandic

1983 Nordik/Skandic 277, 377

1984-85 Skandic 377

**PART NO. 08-321 \$35.00 (ONLY 1 LEFT)**  
WITHOUT SHOCK ABSORBER BRACKET  
BLACK ENAMEL PAINTED.

### MOTO-SKI

OEM No. 505.0192.00 use 505.0184.00

Fits: 1976-1983 Spirit 250

### SKI-DOO

OEM No. 505.0058.00, 505.0070.00,  
505.0109.00, 505.0159.00 use 505.0184.00

1971-Blizzard 246

1971-1988 Elan 250, 250E, Mono, Twin



▶ Engine

▶ Carburetion

▶ Drive System

▶ Tracks & Suspension

▶ Steering

▶ Brakes & Cables

▶ Starter Parts

▶ Electrical

▶ Accessories

▶ Tools

▶ Oil & Filters

- Pistons
- Conrods
- Sleeves
- Studs
- Cables
- Screen Kits
- Shop Manuals
- Carbides
- Drive Belts
- Skid Plates
- Shocks
- Clutch Parts

▶ Close-Outs

▶ ATV

# BELTS FOR VINTAGE SLEDS



PART NO.	T.W. (IN.)	O.C. (IN.)
131-4400	1-5/16	44
138-4716		
138-4316	1-3/8	43-16/64
138-4340	1-3/8	43-40/64
138-4548	1-3/8	45-48/64
138-4628	1-3/8	46-28/64
138-5232	1-3/8	52-32/64

**ULTIMAX \$45.00**

**WHILE THEY LAST!**



**MALAMUTE \$15.00 & MAX \$ 20.00**

Engine

Carburetion

Drive System

Tracks & Suspension

Steering

Brakes & Cables

Starter Parts

Electrical

Accessories

Tools

Oil & Filters

Pistons  
Conrods  
Sleeves  
Studs  
Cables  
Screen Kits  
Shop Manuals  
Carbides  
Drive Belts  
Skid Plates  
Shocks  
Clutch Parts

Close-Outs

ATV

ALOUETTE				
MODEL	YEAR	O.E.M	MALAMUTE	MAX
Sno Duster G34B	1976	353690		MAX1060
Sno Brute K440-2AS	1976	36590		MAX1060
Brute 340 Xenoah G34BWR	1976	38738	1093M	
Brute440 Xenoah G44BWR	1976	38738	1093M	
250 Liquid Cooled G25BWR Xenoah	1975	38738	1093M	
340 Liquid Cooled G34BWR Xenoah	1975	38738	1093M	
440 Liquid Cooled G44BWR Xenoah	1975	38738	1093M	
Silver Cloud Mark II (Sachs)	1974-75	130466	1042M	
Super Brute 295-340-440 LC	1974	30543	1040M	
Snow Duster	1973	130301	1070M	
Super 340 (Sachs), 440(Sachs)	1973	130467	2000M	MAX2000
Escort , Escort I	1972-73	130301	1070M	
XL28 (Kohler 399cc 28HP)	1971-72	130369R	1078M	
GT27 (Sachs 336cc 27HP)	1971-72	130301	1070M	
Villian 440 Kohler	1972	130369R	1078M	

ALSPORT INC.				
MODEL	YEAR	O.E.M	MALAMUTE	MAX
Tracker All Terrain	1970	702441	1028M	

A.M.F.				
MODEL	YEAR	O.E.M	MALAMUTE	MAX
Ski Daddler Mark V 400, 400E, 500	1971	34914	1083M	
Ski Daddler Mark V 500E	1971	703040	1083M	
All O.E.M.1002110	1971	1002110	1076M	
Ski Daddler Mark V	1970	34914	1083M	

ARCTIC CAT				
MODEL	YEAR	O.E.M	MALAMUTE	MAX
Lynx 2000, 2000 Twin, Panther 5000	1979-80	0227-027-019	1083M	
Trail Cat 340, 440	1980	0227-019,027	1083M	
Pantera 5000	1979-80	0227-0220		MAX1066
Jag 2000, 3000 Oil Injection	1979	0227-021	1093M	
El Tigre 5000, 6000, 340	1979	0227-019,026	1083M	
Panther 4000, 5000	1979	0227-007,019	1083M	
Cheetah 5000, Panther 4000, 5000	1977-78	0227-007,019	1083M	
Spec.Edit.440, Trail Cat	1979	0227-019,026	1083M	
Jag 2000, 3000 (Spirit)	1976	0227-014,019	1083M	
Cheetah 4000, 5000 Panther 4000, 5000	1976	0227-019	1083M	
El Tigre 4000, 5000	1976	0227-0220		MAX1066
Pantera 5000	1976	0227-019	1083M	
El Tigre 340, 440, Pantera 440	1975	0227-020(009)	1078M	
Lynx	1975	0227-017	1089M	

ARCTIC CAT cont'd				
MODEL	YEAR	O.E.M	MALAMUTE	MAX
Jag 340 F/A 340	1975	0227-014	1093M	
El Tigre 290 340 400 440	1974	0227-014	1093M	
El Tigre 290 340 400 440	1973	0227-008	1053M	
Lynx 292 (Kawasaki)	1973-74	0100-080	1042M	
Cheetah Series C340, C400				
C436, Panther Series P295				
P340, P400 Puma PM40 (Kaw.)	1973-74	0100-092	1053M	
Lynx 292AL, Puma 292AP (Kawasaki KT 1508)	1972	0100-080	1042M	
Puma 399APU Cheetah 399AC				
Panther 399AP(Kaw.TIA400 S1)				
Cheetah 440 AC Panther 440AP (Kaw.TIA440S1) Puma 440	1972	0100-092	1053M	
Panther & Puma (436cc)	1971	100-92	1053M	
Lynx L295, L303, L340	1971	100-80	1042M	
Ext E295.E340, E399, E440	1971	100-92	1053M	
Panther P246, P292, P295, P340	1970	100-80	1042M	
P440 Eng	1970	100-92	1053M	

AUTO SKI				
MODEL	YEAR	O.E.M	MALAMUTE	MAX
Midget SDL, Electric (CCW225)				
Bonanza (Sachs SA290), Bonanza Bonanza Elec.CCW290) Camaro				
Mach 340 (Sachs SA2-340), Torino Elec., Avenger 400 Elec (CCW400)				
Spitfire, Mach 440 (Sachs SA2-340)				
Avenger 340 (CCW340)	1972-74	5-2982	1080M	
Mini Jet (Sachs 225cc-12.5HP)				
Midget (Sachs 280cc-14HP)				
Bonanza, E (Sachs 290cc-20HP)				
Camaro & Avenger I (Sachs 340-24HP)				
Torino (CCW440cc-30HP), Spitfire, E, Avenger 11, E (Sachs 440cc-35HP)	1971		1080M	

AUTOTECHNIG INC.				
MODEL	YEAR	O.E.M	MALAMUTE	MAX
Rebel 280, 290, 290E	1973	B1-1220	1042M	
Comet 290ss, 340, 440, 441	1973	B1-1220	1042M	
Buzz & Ski Zoom	1970-72	5-2978	1076M	

BADGER NORTHLAND INC.				
MODEL	YEAR	O.E.M	MALAMUTE	MAX
300S (JLO L295), 500SST,				
Formula I, III, IV (JLO LR399/2)	1972		1075M	
Ski Whiz -372cc	1969		1042M	

# BELTS FOR VINTAGE SLEDS

## BOA-SKI

MODEL	YEAR	O.E.M	MALAMUTE	MAX
MKII 340	1976	S-69-06-052	MAX-1066	

## BOLENS

MODEL	YEAR	O.E.M	MALAMUTE	MAX
TW433, TW440, 440 S	1972	1807-135	1083M	

## GHAPARRAL INDUSTRIES INC.

MODEL	YEAR	O.E.M	MALAMUTE	MAX
SSX 340, 400, 440	1974	31650-2	1089M	
250, 292, 292 SS3, 340, 340 SS3				
400, 400 SS3, 440, 440 SS3	1973-74	31650-2	1089M	
Firebird Series 248, 292, 338, 398				
432, SS111, Thunderbird	1973-74	31650-1	1092M	MAX1092
Firebird (own or CCW 440cc)				
Firebird (own or Hirth 440cc)				
Firebird SS (own or Hirth 440cc)				
400, 440, & Sachs 440cc, Hirth 280R), Thunderbird (Own 400, 440&Hirth 280R)	1972	31650-2	1089M	
All Snow Vehicles	1971	31650-2	1089M	
All Snow Vehicles	1970	703039	1089M	

## GOLUMBIA (MODERN TOOL & DIE)

MODEL	YEAR	O.E.M	MALAMUTE	MAX
C-400, C-440	1975	754-172	2000M	MAX2000
Trackmaster C400T (JLO LR399/2)				
Trackmaster C440T (JLO LR440/2)				
SST 400 (JLO LR399/2), SST 440 (JLO LR440/2)	1972-74	754-160	1066M	MAX1066

## FARMINGTON ENGINEERING INC.

MODEL	YEAR	O.E.M	MALAMUTE	MAX
Sno-Bug (JLO L230 & LR340/2)				
Pacer, Timberline (JLO LR340/2)				
Pacer, Timberline, Coyote (JLO LR440/2)	1972	2050	1089M	
Pacer 25 (Kohler K340-2)				
Pacer 32 (Kohler K440-2)				
Pacer 35 (Kohler K618-2)				
Pacer 38 (Hirth 171R)	1971	2050	1089M	

## FOX TRAC

MODEL	YEAR	O.E.M	MALAMUTE	MAX
4222 (JLO)	1973-74	205-854	1089M	
4232, 4242, 4312, 4322 (JLO)	1972-74	205-854	1089M	

## GILSON BROTHERS

MODEL	YEAR	O.E.M	MALAMUTE	MAX
434, 435 (Kohler)	1973	17609	1075M	
434, 4345 (Kohler K440-2)	1972	17609	1075M	

## HARLEY DAVIDSON

MODEL	YEAR	O.E.M	MALAMUTE	MAX
Y398, Y440	1975		1080M	MAX1080
Y manual & Elec	1972-74	HD34959-74	1075M	MAX1080
Gas	1970		1075M	MAX1080
Golf Kart (Gas) Main Drive	1967-70		1075M	MAX1080

## HELLSTAR

MODEL	YEAR	O.E.M	MALAMUTE	MAX
660T (JLO LR340/2)	1972	702976	1042M	
770T (JLO LR399/2) 880T (JLO LR440/2)	1972	703041	1066M	MAX1066

## HERTER'S

MODEL	YEAR	O.E.M	MALAMUTE	MAX
Klondike Nitro I & II, Snow Tiger, Snow Leopard, Yukon (Kohler)	1973-74	901-10.5	1089M	
Kodiak Nitro G III SS 3518				
Scorcher II (Sachs SA2-440)				
Klondike, Nitro G II, Scorcher II, SS 3618, SS 3618B (Kohler K440-2)				
SS 2418 Scorcher I (Kohler K340-2)	1972	910-10.5	1089M	

## HERTER'S

MODEL	YEAR	O.E.M	MALAMUTE	MAX
Scorcher I (Sachs SA2-340)				
Scorcher II (Sachs SA2-440)	1971	910-10.5	1089M	
Huskie-Magnum	1969	372-11.5	1028M	

## JOHN DEERE

MODEL	YEAR	O.E.M	MALAMUTE	MAX
Spitfire Trailfire	1979-80	668416,66345	1066M	MAX1066
Cyclone 340, 440 Kioritz KEC	1976	M66345	1066M	MAX1066
Liquifire 400 L/C, 440 L/C Kioritz	1976	M66345	1066M	MAX1066
J/D 340/S 340/RS2 Kioritz	1976	M65703	1080M	MAX1080
.400 JDx-JDX6-500-600-JDX8	1974	M64550	1057M	

## KAWASAKI-SNO JET

MODEL	YEAR	O.E.M	MALAMUTE	MAX
Drifter, Intruder, Invader 340/440, LTD	1979-80	59011-3502	1066M	MAX1066
Astrojet Y292, Astro Y338 Yamaha	1976	050399C	1065M	MAX1065
Astrojet 295 Yamaha	1975	050399C	1065M	MAX1065
SS340, SST440 Yamaha	1975	50717	1083M	
Whisper Jet 440	1975	050253	1057M	
Stratojet 295 (Hirth), Astrojet, SST 295, 340				
440, WhisperJet 440 Yamaha	1974	050399C	1065M	MAX1065
Sabrejet 440 Yamaha	1974	050501	1065M	MAX1065
Starjet 292	1973	050501	1065M	MAX1065
Starjet, Starjet+2, SST, Superjet 292, 338				
396, 433 Yamaha	1972	050399C	1065M	MAX1065
Starjet, Starjet Deluxe, S/S Jet, Superjet				
292, 338, 390, 396.433 Yamaha	1971	050253	1057M	

## KIEKKAEFER

MODEL	YEAR	O.E.M	MALAMUTE	MAX
Models Z57-53520, Z57-5320, Z57-56039				

## MASSEY FERGUSON

See Ski-Whiz

## MERCURY MARINE

MODEL	YEAR	O.E.M	MALAMUTE	MAX
340T/T K340-2AS	1976	57-74293	2000M	MAX2000
440T/T K440-2AS	1976	57-74293	2000M	MAX2000
440 Max (CCW) Hurricane Mark I, II (Merc)	1972-74	57-58703	1066M	MAX1066
Rocket E & M (CCW 340) Lightning				
E & M (CCW 400) Hurricane (Own 644)	1972-74	57-59630	1093M	
Mercury 250E, 250ER & 250M	1971	57-56039	1035M	MAX1035
Rocket & Lightning	1971	57-58703	1066M	MAX1066
Mercury	1970	57-53520	1035M	MAX1035

## MOTO SKI

MODEL	YEAR	O.E.M	MALAMUTE	MAX
Chimo 440-T.S.400	1974	061378	1092M	MAX1092

## ONTARIO DRIVE & GEAR-ARGO

MODEL	YEAR	O.E.M	MALAMUTE	MAX
400, 440, SS340L/C, SS440 Xenoah	1976	200-21	1083M	
340, 400, 440 CCW	1975	200-21	1083M	
400, 440	1974	200-21	1083M	
All Terrain Argo	1971		1070M	
	1970		1042M	

## ORIGINAL EQUIPMENT MFG.

MODEL	YEAR	O.E.M	MALAMUTE	MAX
Snowbug	1977-79	1974	1053M	

## POLARIS

MODEL	YEAR	O.E.M	MALAMUTE	MAX
Colt, Colt SS, Electra, Gemini 244, 250	1977-80	3211021	1067M	MAX1067M
Apollo, Cobra, Centurion L/C, T.X.250,				
340, T.X.C, T.X.L	1979-80	3211042	1074M	MAX1074
Custom II 250-400-530	1974	3211031	1074M	MAX1074
Colt, Colt SS (Star)	1972-76	3211021	1067M	MAX1067
Electra 340-440	1974-76	3211031	1074M	MAX1074



▶ Engine

▶ Carburetion

▶ Drive System

▶ Tracks & Suspension

▶ Steering

▶ Brakes & Cables

▶ Starter Parts

▶ Electrical

▶ Accessories

▶ Tools

▶ Oil & Filters

Pistons  
Conrods  
Sleeves  
Studs  
Cables  
Screen Kits  
Shop Manuals  
Carbides  
Drive Belts  
Skid Plates  
Shocks  
Clutch Parts

▶ Close-Outs

▶ ATV

# BELTS FOR VINTAGE SLEDS

## POLARIS cont'd

MODEL	YEAR	O.E.M	MALAMUTE	MAX
TX models	1973-74	3211028	1035M	MAX1035
Mustang 400, 530	1973-74	3211031	1074M	MAX1074
72C1700 Colt 175 (Star EC17P)				
72C2500 Colt 250 (Star EC25P)				
72C2900 Colt 295, 7212900 Charger				
<b>Engine</b> 295 (Star EC29P) 72C2990 295S/S (Star EC29PF) 7214000 Charger 400 (Star EC40P) 7215400 Charger	1972	3211026	1035M	MAX1035
530 (Star EC54P), 7274900	1972	3211027	1035M	MAX1035
Charger 400 S/S (Star EC40PF)	1972	3211028	1035M	MAX1035
Charger 530 S/S (Star EC54P)	1972	3211021	1067M	MAX1067
Charger 400	1972	3211031	1087M	
Mustang 400 (Star EC40P)	1972	3211031	1074M	MAX1074
Mustang Charger 530 (Star EC54P)	1972	3211031	1074M	MAX1074
Mustang (398cc-27HP)	1971	3211007	281-021-036	
Mustang (488cc-32HP)	1971	3211007	281-021-036	
<b>Drive System</b> Charger 249cc, 335cc, 398cc, 432cc, 488cc	1971	3211007	281-021-036	
Mustang, 398cc, 440cc, 488cc	1970	3211007	281-021-036	
Charger 293cc, 340cc, 372cc, 398cc				
436cc, 438cc	1970	3211007	281-021-036	
<b>Tracks &amp; Suspension</b> TX Playmate 291cc, 292cc, 293cc, 335cc, 339cc, 340cc, 398cc, 436cc	1970	3211007	281-021-036	
TX Charger 291cc, 292cc, 293cc, 335cc				
340cc, 398cc, 436cc	1970	3211007	281-021-036	
TX Colt 398cc	1970	3211007	281-021-036	

Engine

Carburetion

Drive System

Tracks & Suspension

Steering

Brakes & Cables

Starter Parts

Electrical

Accessories

Tools

Oil & Filters

Pistons  
Conrods  
Sleeves  
Studs  
Cables  
Screen Kits  
Shop Manuals  
Carbides  
Drive Belts  
Skid Plates  
Shocks  
Clutch Parts

Close-Outs

ATV

## RAIDER ROAMER

MODEL	YEAR	O.E.M	MALAMUTE	MAX
All	1973-74	GTS748	1089M	

## ROLL-O-FLEX

MODEL	YEAR	O.E.M	MALAMUTE	MAX
Apache 338Y-396Y-433Y-GT292-SS				
GT338 SS GT433 SS Commanche	1973	1201-03003	1057M	

## RUPP

MODEL	YEAR	O.E.M	MALAMUTE	MAX
Nitro 440, Rally 500	1979	38738	1093M	
Nitro 340/440 L/C, Magnum 250, 340, 440	1976	38738	1093M	

## SEARS-ROEBUCK

MODEL	YEAR	O.E.M	MALAMUTE	MAX
Sportster 244 (Polaris EC25P)				
Sportster 355 (Polaris EC34P)	1973	3211021	1067M	MAX1067
Sportster 450W	1972	3211031	1074M	

## SKI ROULE

MODEL	YEAR	O.E.M	MALAMUTE	MAX
All 300, 340, 440 Kohler	1977	4052-4144C		MAX1032
Sonar 300T, 340, Ultra 340, 440, 447				
Laser 340, 440, 440 Plus, Sprint 340	1976	4052-4144C		MAX1032
<b>RT 300, RTX 300T, 340, 440, 440B, 447</b>				
Laser 437	1975	4052-4144C		MAX1032
Series II RT300T, RT300E, RT340, RT440 RTX300, RTX340, RTX400, TW300	1974	4052-4144C		MAX1032
Series III RT300, RTX300T, RTX340, RTX440B, RTX440, RTX440S, RTW300	1974	4052-4144C		MAX1032
RT300, RT300T, RT300E, RT340, RT440E				
RTX300, RTX340, RTX447, RTW300	1973	4052-4144C		MAX1032
S250, SS300, S340, 440, SX440, RS440, RT500, RT300E, RT340, 440, E, RTX300, 440, RTX447	1972	SR-752		MAX1032
S250, 300, 340, 400, SE400, R, RE 400, SS300, SX440, RT500	1971	SR-752		MAX1032
S225, 250, 300, SE300, SX340T, R, RE 440, RT500	1970	SR-572		MAX1032
All	1969	736-9		MAX1032

## SKI WHIZ - MASSEY FERGUSON

MODEL	YEAR	O.E.M	MALAMUTE	MAX
Cyclone 340L/C, 440 Brooten	1976	766398	1104M	MAX1104
400 W.T.-440 W.T.	1974	523216M1	1067M	MAX1067
340T(JLO 340cc), 400T(JLO 399cc)				
440T(JLO 440cc) 400WT (JLO 399cc)				
440WT (JLO 440cc)	1973	523216M1	1067M	MAX1067
300S, (JLO L295) 500SST	1971-72	523216M1	1067M	MAX1067
(JLO LE399/2)	1969-72	520865M1	1042M	

## SKI ZOOM

MODEL	YEAR	O.E.M	MALAMUTE	MAX
All Models	1973		1028M	
All Models	1971-72	B2-1200	1028M	

## SNO-BLAZER

MODEL	YEAR	O.E.M	MALAMUTE	MAX
230 Snow Cycle (Hirth)	1973		1042M	

## SNO-JET

MODEL	YEAR	O.E.M	MALAMUTE	MAX
Strato-Jet 292 Hirth-Astro-Jet, Y433				
Y338-Y292-Whisper Jet Y433				
Astro SS Y433-SST, S 292	1974	050399	1065M	MAX1065
S338-S433-Sabre Jet	1974	050501	1065M	MAX1065
All Models (Yamaha)	1973-74	050399	1065M	MAX1065
Star Jet (Hirth or Yamaha 292cc 15-19 HP) Star Jet Deluxe (Yamaha 338cc 24 HP), SS Jet (Yamaha 292, 338, 396cc				
24-32HP), Super Jet (Yamaha 396cc 27HP)	1971	050253	1057M	
OEM Parts	1971	050399	1065M	MAX1065
GT 292cc, 338cc	1970	050050	281-021-017	

## SNO-STREAKER

		42474	1040M	
--	--	-------	-------	--

## SNO-TRAG

MODEL	YEAR	O.E.M	MALAMUTE	MAX
295E, 295M, (Kohler K295-1)	1971-72	SV-116	1042M	
440E, 440M (Kohler K440-2)	1971-72	SV-161	1066M	MAX1066

## SPEEDWAY PRODUCTS

MODEL	YEAR	O.E.M	MALAMUTE	MAX
All Models (Kohler)	1972-74	14163	1075M	

## SUZUKI

MODEL	YEAR	O.E.M	MALAMUTE	MAX
Fury (SM440), Nomad (SM11, SM21, XR400) Yukon (sm21W, SM50, XR440)	1975	0227-018	1066M	MAX1066

## TERRA JET

MODEL	YEAR	O.E.M	MALAMUTE	MAX
400e	1972		1081M	
All models	1971		1081M	

## VIKING SNOWMOBILE INC.

MODEL	YEAR	O.E.M	MALAMUTE	MAX
All Models (Kohler)	1971-74	41636	1093M	

## YAMAHA

MODEL	YEAR	O.E.M	MALAMUTE	MAX
ET250D, ET300D, ET340ED	1980	820-17641	1083M	
ET250C, ET300C, ET340C,	1979	820-17641	1083M	
ET250, GP340, 440, GS340	1977-78	820,8A1-17641	1083M	
GS300, 340	1976	820-17641	1083M	
All Models	1973-75	820-17641-00	1053M	
SL292C, 338D, 433B, EL433B, SW433C, EW433C, 643B, GP292B,				
338, 433B, 643B, GP292, 433	1972	820-17641	1083M	
All Models	1968-69	820-17641-00	1053M	

# SKID PLATES - CLOSEOUT



Form fitting Skidplate easily installs on your sled in minutes. Our Super High Impact Plastic design provides the ultimate protection against bellypan and radius rod damage. *Helps float over powder snow with less drag on your radius rods and shocks!*

## POLARIS

MODEL	YEAR	PINK	FOREST GREEN
340 L/C Indy	1980-83		59-205FG
400, 440 L/C Indy	1984-93		59-205FG
400 XCR, 440 XCR Indy	1990-96		59-205FG
500 Classic	1999	59-208PK	
500 EFI	1996-97	59-208PK	
500 Indy	1989-93		59-205FG
500 Indy L/C Triple	1980-83		59-205FG
600 Indy	1983-87		59-205FG
600 XCR	1995-96		59-205FG
650 Indy	1988-93		59-205FG
Indy Classic ,Touring	1996-99	59-208PK	
RXL 650 Indy	1988-95		59-205FG
Sport, Sport Touring Indy	1987-98		59-205FG
Storm, SKS, RMK	1993-95		59-205FG
Supersport Indy	1994-96		59-205FG
Trail Indy	1983-94		59-205FG
Transport Indy	1996-98		59-205FG
Widetrack Indy	1996-98		59-205FG
XLT (all exc.Touring)	1993-94		59-205FG
XLT Touring	1996-99	59-208PK	
XLT Classic	1998-99	59-208PK	
XLT Limited	1997-98	59-208PK	
XLT, SKS, RMK	1995-96		59-205FG

## SKI DOO

MODEL	YEAR	PINK
Formula S,SE,SL,SLS	1995-99	59-423PK
Formula S	2000	59-423PK
Formula Dlx 380,500,500LC	1999	59-423PK
Formula Dlx 583,670	1998-99	59-423PK
Formula Deluxe 380,500	2000-01	59-423PK
Formula 500,583	1997-98	59-423PK
Formula 500 LC	2000	59-423PK
Formula Z	1997	59-423PK
Formula Z 670, 583,500	1998-99	59-423PK
Formula III 600,700,800	1998-99	59-426PK
Formula III 700	1998-99	59-426PK
Grand Tour.500	1996-99	59-423PK
Grand Tour.583	1997-99	59-423PK
Grand Tour.SLE,LE,E	1999	59-423PK
Grand Tour.SLE,LE	1997-98	59-423PK
Grand Touring SE 800	1998-00	59-426PK
Grand Touring-700	1998-00	59-426PK
Grand Touring-SE600,800	2002	59-426PK
Grand Touring-SE800	2001	59-426PK
Mach 1	1998-00	59-426PK
Mach Z's (all)	1998-03	59-426PK
MXZ 440, 500, 583, 670	1996-99	59-423PK
MXZ 440	2000	59-423PK
MXZ Fan 380, 440, 500	2001	59-423PK
Skandic 380, 500	1996-99	59-423PK
Skandic Widetrack	1996	59-423PK
Summit 500, 583, 670	1996-99	59-423PK
Summit Fan 500	2001	59-423PK
Touring LE,E,LT,SLE	1996-98	59-423PK
Touring 500LC,SLE,LE,E	2000	59-423PK
Touring Fan 380,500	2001	59-423PK

- ▶ Engine
- ▶ Carburetion
- ▶ Drive System
- ▶ Tracks & Suspension
- ▶ Steering
- ▶ Brakes & Cables

## YAMAHA

MODEL	YEAR	PINK
V-Max 500, 600	1994-96	59-618PK
V-Max 4	1991-97	59-619P

- ▶ Starter Parts
- ▶ Electrical
- ▶ Accessories

# SLIDERS



LENGTH	PROFILE	COLOUR	OEM	PART NO.	PRICE
<b>POLARIS</b>					
53.5	18	neon pink		04-209-15 NP	\$8.00
47 1/4	5	white	5521038	04-208-01	\$5.00
47 1/4	6		5521031		\$5.00
			5521047		
			5521048		
			5521062		
			5521077		
<b>SCORPION</b>					
49 3/4	25		43833	04-230	\$5.00
<b>SKI-DOO</b>					
18 5/8	23		5603016	04-214	\$5.00
<b>YAMAHA</b>					
52	16	neon pink		04-228-21NP	\$8.00
52	16	neon pink		04-228-21P	\$8.00
55	12	neon pink		04-228-25NP	\$8.00

- ▶ Tools
- ▶ Oil & Filters
- ▶ Pistons
- ▶ Conrods
- ▶ Sleeves
- ▶ Studs
- ▶ Cables
- ▶ Screen Kits
- ▶ Shop Manuals
- ▶ Carbides
- ▶ Drive Belts
- ▶ Skid Plates
- ▶ Shocks
- ▶ Clutch Parts
- ▶ Close-Outs

- ▶ ATV

# GAS SHOCKS

## RIDE-ON

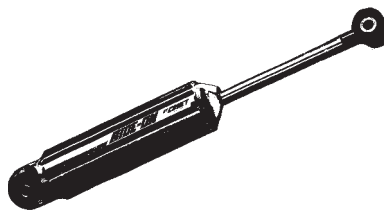
GAS SHOCKS

Now \$ 100.00

## COMET INDUSTRIES

### ARCTIC CAT

MODEL	YEAR	SKI SHOCK	REBUILD KIT
Bearcat	1995	400003	400149
Cougar/All	1992-94	400002	400149
Cougar/All	1995	400003	400149
Ext/ All Ext Sp.	1991-93	400002	400149
Ext/ All Ext Sp.	1994-95	400003	400149
Ext Powder Sp.	1995	400003	400149
Jag Deluxe	1993-95	400002	400149
Jag Z	1993-94	400002	400149
Pantera	1990-95	400002	400149
Panther Deluxe	1993-95	400002	400149
Prowler 2 Up	1991-95	400002	400149
Prowler ,MC,Spec.	1990-94	400002	400149
Puma/ Deluxe/2 Uo	1994-95	400002	400149
Thundercat/ MC	1993-95	400003	400149
Wildcat	1993	400002	400149
Wildcat	1994-95	400003	400149
Z440,ZR440,ZR580	1993-95	400003	400149
ZR700,ZRT800	1993-95	400003	400149



### SKI-DOO

MODEL	FRONT SUSP.	TRACK SUSP.	YEARS	SKI SHOCK	REBUILD KIT	FRONT ARM SHOCK	REBUILD KIT
Formula Grand Touring	DSA	C-7	1992-95	400017	400194	400018	400194
Formula Mach 1/ Mach Z	DSA	C-7	1992-95	400017	400194		
Formula MX		C-7	1989-91	400017	400194	400018	400194
Formula MX	DSA	C-7	1992-95			400018	400194
Formula MX/ MXZ	DSA	C-7	1992-95	400017	400194	400018	400194
Formula Plus		C-7	1989-91			400018	400194
Formula Plus	DSA	C-7	1992-93	400017	400194	400018	400194
Formula S, SL	DSA		1995	400017	400194		
Formula SS, ST, STX, Z	DSA	C-7	1994-95	400017	400194	400018	400194
Grand Touring (XTC), SE		C-7	1994			400018	400194
Grand Touring SE, 470, 580, 670	DSA	C-7	1995	400017	400194	400018	400194
Mach 1		C-7	1989-91			400018	400194
Mach Z	DSA	C-7	1994-95	400017	400194	400018	400194
Safari, GLX, L, LCE,LX		C-7	1990-91			400018	400194
Skandic 380, 500	DSA		1995	400017	400194		
Summit 583, 670	DSA	C-7	1995	400017	400194	400018	400194
Touring L, LE, SLE, 500	DSA		1995	400017	400194		

# ATV CLUTCH PARTS



### HONDA

MODEL	YEAR	PART NO.	UNIT	PRICE
ATC125M	1986-87	HPK-33	KIT	\$ 25.00
TRX125	1987	HPK-33	KIT	\$ 25.00
ATC185/S	1980-83	HPK-33	KIT	\$ 25.00
ATC200	1981-83	HPK-33	KIT	\$ 25.00
ATC200E/ES	1982-84	HPK-33	KIT	\$ 25.00
ATC250ES/SX	1985-87	HPK-34	FRICION PLATE	\$ 5.00
ATV ATC250R	1981-84	HPK-37	KIT	\$ 25.00
TRX250	1985-87	HPK-34	FRICION PLATE	\$ 5.00
TRX300	1988	HPK-34	FRICION PLATE	\$ 5.00

### SUZUKI

MODEL	YEAR	PART NO.	UNIT	PRICE
LT230 ENG #104361-		TM-13	KIT	\$ 25.00

### YAMAHA

MODEL	YEAR	PART NO.	UNIT	PRICE
YFM350	1987-88	YP-17	STEEL PLATE	\$ 1.00
YTM200	1983-85	YPK-23	KIT	\$ 25.00
YFM200	1985-87	YPK-23	KIT	\$ 25.00
YTM225	1983-86	YPK-23	KIT	\$ 25.00
YFM225/250	1986-99	YPK-23	KIT	\$ 25.00
YFM350	1987-88	YPK-8	FRICION PLATE	\$ 5.00

- Engine
- Carburetion
- Drive System
- Tracks & Suspension
- Steering
- Brakes & Cables
- Starter Parts
- Electrical
- Accessories
- Tools
- Oil & Filters
- Pistons
- Conrods
- Sleeves
- Studs
- Cables
- Screen Kits
- Shop Manuals
- Carbides
- Drive Belts
- Skid Plates
- Shocks
- Clutch Parts
- Close-Outs
- ATV

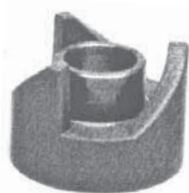




		Stall Preload( lbs)	Stall Increase RPM	Full Shift (lbs)	
AAS12418	Polaris Green Primary Pressure Spring	60	400	200	\$25
AAS12420	Polaris Red Primary Pressure Spring	90	800	230	\$25



- ▶ Engine
- ▶ Carburetion
- ▶ Drive System



<b><u>TEFLON COATED CAMS</u></b>		
ACP12678	Arctic Cat 56 Degree alum.	\$25
ACP12679	Arctic Cat 58 Degree alum.	\$25

- ▶ Tracks & Suspension
- ▶ Steering



<b><u>ARCTIC CAT HARDENED STEEL CAM</u></b>		
ACP12644	54/50 Steel Cam (Pre '98)	\$25

- ▶ Brakes & Cables

<b><u>POLARIS GLUTCH WEIGHTS</u></b>		
PCP5630146	Q-1 38 Gram weights	\$10

- ▶ Starter Parts

<b><u>TORQUE ARM</u></b>		
Y11089	Yamaha Exciter Torque Arm	\$25
Y11058	Yamaha V-Max 1983-89 Torque Arm	\$25

- ▶ Electrical

<b><u>POLARIS INDY RXL ACCESSORIES</u></b>		
EFI10617	Decoder box Indy RXL	\$25
EFI10620	Digital Voltage Meter Indy RXL	\$25
EFI10640	Big Battery Kit with Hardware Indy RXL	\$25
EFI10641	"Supercharge" kit Indy RXL	\$25

- ▶ Accessories

- ▶ Tools

- ▶ Oil & Filters



<b><u>EXHAUST ACCESSORIES</u></b>		
TGT14716L	Exhaust Gauge Light Kit	\$10
TGT14719	Echhaust Gauge Mount Bracket	\$15
TGT14721	Quick Disconnect Couplings	\$50

- Pistons
- Conrods
- Sleeves
- Studs
- Cables
- Screen Kits
- Shop Manuals
- Carbides
- Drive Belts
- Skid Plates
- Shocks
- Clutch Parts

- ▶ Close-Outs



<b><u>GARB ACCESSORIES</u></b>		
CBA12565	Round Head Jet Slide Rule Yamaha	\$20

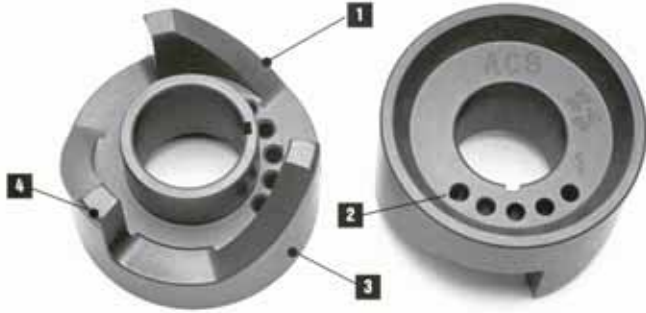
- ▶ ATV

# BLACK MAX HELIXES



Engine

Carburetion



- 1** Radius edge for less hang up and wear
- 2** Spring holes are chamfered to prevent spring bind
- 3** Aerospace coating for the optimum in smooth performance
- 4** Tapered "Lead in Edge" for easier installation

Drive System ◀

Angle & Style	Part No.	Price
<b>ARCTIC CAT</b>		
52/56 Progressive	<b>ACS-5256A</b>	\$B
50/46 Progressive	<b>ACS-5046A</b>	\$B

Angle & Style	Part No.	Price
<b>SKI-DOO</b>		
52 Straight	<b>ACS-52S</b>	\$B
42 Straight	<b>ACS-42S</b>	\$B

Tracks & Suspension ◀

<b>POLARIS</b>		
38 Straight	<b>ACS-38P</b>	\$B
58/36 Progressive	<b>ACS-5836P</b>	\$B

Steering ◀

Brakes & Cables ◀



## 94C DUSTER \$ 100.00



Starter Parts ◀

**94C CLUTCH PART NO. 206096A**  
30MM 1:10 tapered "deep" bore. We call this "32MM" to avoid confusion w/normal bore in #206094A. For 1-3/8" wide belts contains - six pucks #205918A and orange spring #205583A. For Polaris snowmobiles only - made from 1972 and equipped with Polaris/Star engine.

Electrical ◀

Accessories ◀

Tools ◀

Oil & Filters ◀

- Pistons
- Conrods
- Sleeves
- Studs
- Cables
- Screen Kits
- Shop Manuals
- Carbides
- Drive Belts
- Skid Plates
- Shocks
- Clutch Parts



## POWERBLOG CLUTCHES \$ 100.00

ATV ◀

PART NO.	BELT WIDTH	DIM. "A"	VEHICLE	ENGINE
ALT-0813L	1-1/4"		TRI JET ATV	Tecumseh 8hp 3600RPM
ALT-5713	1-1/3"	1.181	Ski-Doo Blizzard 9700 1983-84	Rotax
ALT-6313	1-3/16"	0.905	Gateau (Car 1986)	Kubota, Diesel